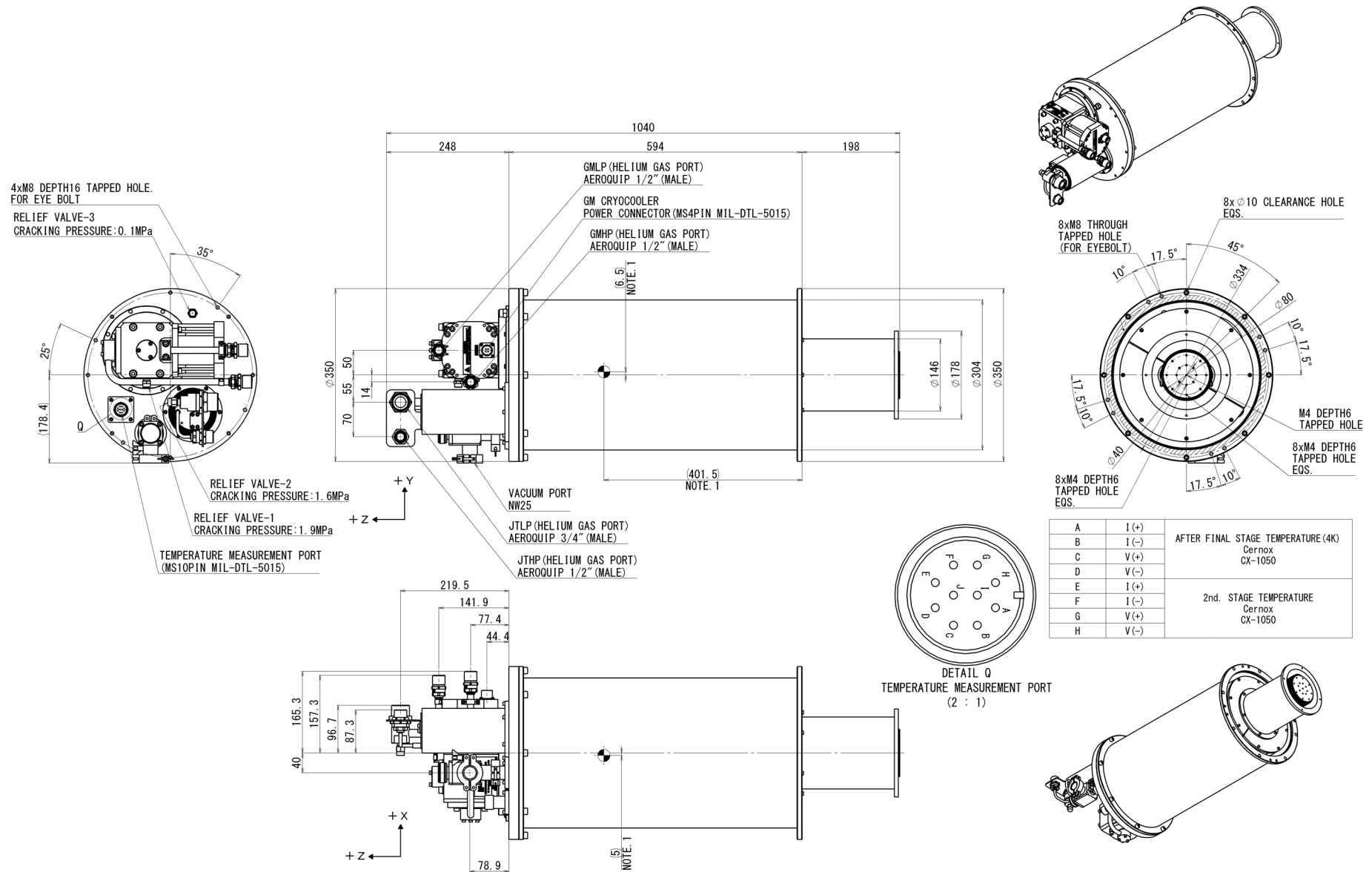


RJT-100 4K GM-JT Cryocooler (Stage) Outline Drawing



NOTE
1. Ⓞ : CENTER OF GRAVITY