

OPERATING VOLTAGES:
 480 ±10% V3~, 60HZ
 380-415 ±10% V3~, 50HZ

A	5368	23 MAR 15	JPK	DLA	RGS	RBS
REV.	CRSP NO.	DATE	BY	MFG.	QUAL.	ENGR.
	11/16/2012		KJJ	PZ	RGS	SBD

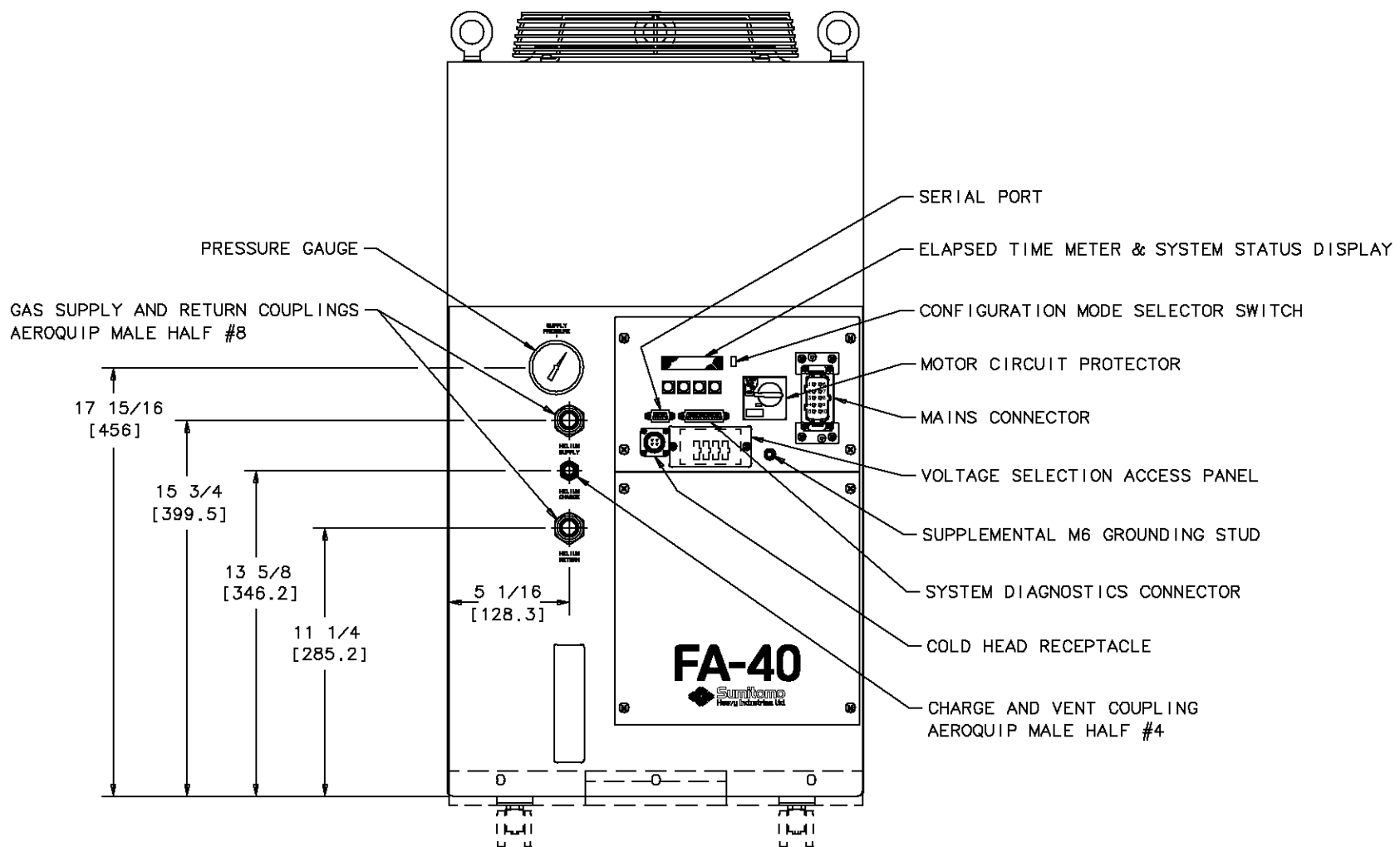
TITLE

OUTLINE DRAWING,
 FA-40H AIR-COOLED COMPRESSOR ASSEMBLY
 SCAI STANDARD



NO. 268273D23N175-C
 SHEET 1 OF 2

PROPRIETARY NOTICE: THIS DOCUMENT IS THE PROPERTY OF SUMITOMO (SHI) CRYOGENICS OF AMERICA, INC., AND SHALL NOT, WITHOUT THE EXPRESS WRITTEN PERMISSION OF SCAI, BE REPRODUCED OR COPIED IN WHOLE OR IN PART BY ANY PERSON OUTSIDE OF SCAI OR, IF LOANED BY SCAI TO SUCH PERSON, SHALL NOT BE USED FOR FURNISHING INFORMATION TO ANY THIRD PARTY OR FOR ANY PURPOSE OTHER THAN THAT FOR WHICH IT IS LOANED.



TITLE
 OUTLINE DRAWING,
 FA-40H AIR-COOLED COMPRESSOR ASSEMBLY
 SCAI STANDARD

REV. A



REV.	CRSP NO.	11/16/2012	KJJ	PZ	RGS	SBD
	DATE	BY	MFG.	QUAL.	ENGR.	

NO. 268273D23N175-C
 SHEET 2 OF 2

PROPRIETARY NOTICE: THIS DOCUMENT IS THE PROPERTY OF SUMITOMO (SHI) CRYOGENICS OF AMERICA, INC., AND SHALL NOT, WITHOUT THE EXPRESS WRITTEN PERMISSION OF SCAI, BE REPRODUCED OR COPIED IN WHOLE OR IN PART BY ANY PERSON OUTSIDE OF SCAI OR, IF LOANED BY SCAI TO SUCH PERSON, SHALL NOT BE USED FOR FURNISHING INFORMATION TO ANY THIRD PARTY OR FOR ANY PURPOSE OTHER THAN THAT FOR WHICH IT IS LOANED.