

MATERIAL LEGEND	
DESIGNATION	MATERIAL
[Hatched Pattern]	STN. STL.
[Cross-hatched Pattern]	ALUMINUM
[Diagonal Hatched Pattern]	COPPER, OFHC

Sumitomo <small>(SHI) CRYOGENICS OF AMERICA, INC.</small>	
NO.	268565D1 - C
SHEET	1 OF 2

OUTLINE DRAWING
CH-210L COLD HEAD ASSEMBLY
(FLAT FLANGE)

PROJECT: expander_ch210l

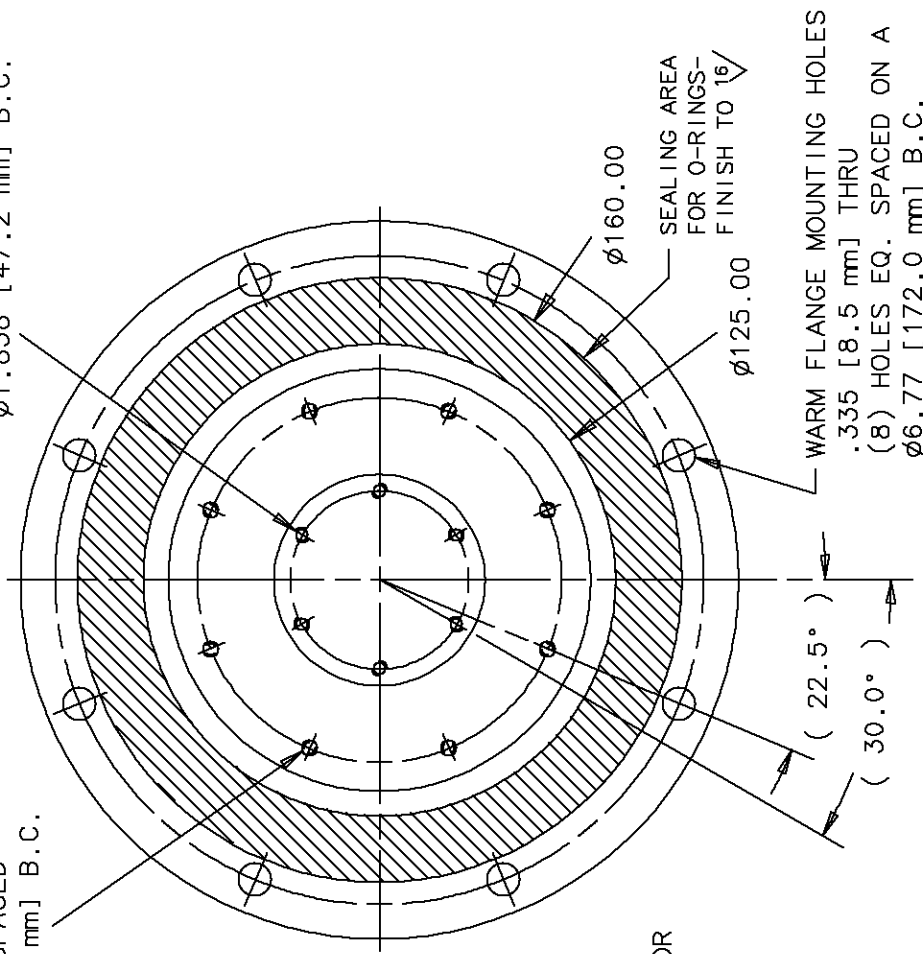
TITLE			
REV.	CRSP NO.	DATE	BY
	21 NOV 13	LJR	PZ
			RGS
			RBS
			ENGR.

- INLET GAS FITTING, MALE HALF COUPLING AERQUIP #5400-S2-8UL w/ DUST CAP
- VARIABLE ORIFICE LOCATION
- OUTLET GAS FITTING, MALE HALF COUPLING AERQUIP #5400-S2-8UL w/ DUST CAP

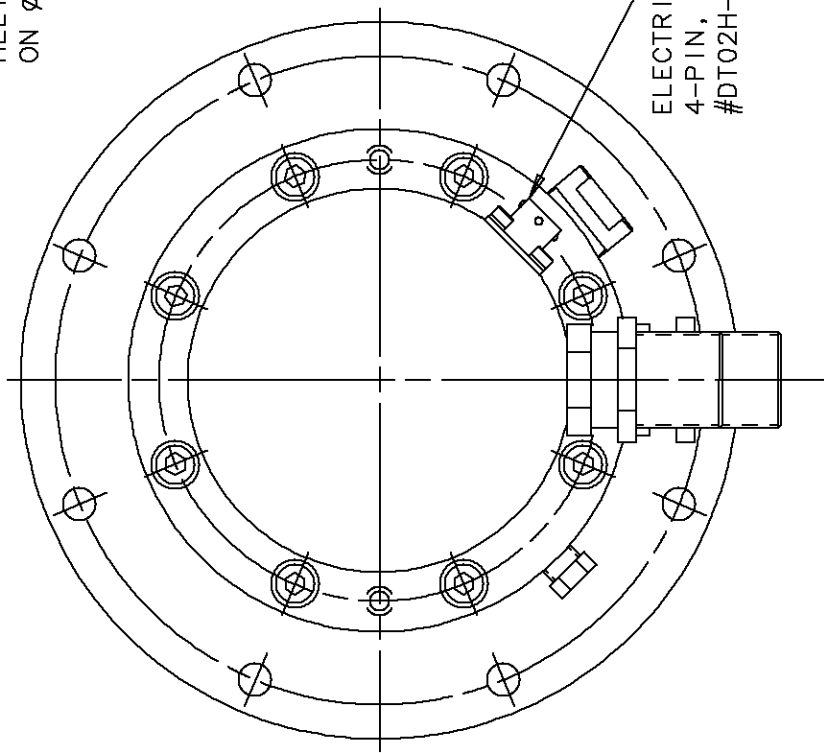
PROPRIETARY NOTICE: THIS DOCUMENT IS THE PROPERTY OF SUMITOMO (SHI) CRYOGENICS OF AMERICA, INC., AND SHALL NOT, WITHOUT THE EXPRESS WRITTEN PERMISSION OF SCAI, BE REPRODUCED OR COPIED IN WHOLE OR IN PART BY ANY PERSON OUTSIDE OF SCAI OR, IF LOANED BY SCAI TO SUCH PERSON, SHALL NOT BE USED FOR FURNISHING INFORMATION TO ANY THIRD PARTY OR FOR ANY PURPOSE OTHER THAN THAT FOR WHICH IT IS LOANED.
FORM NO. DD102089-A Rev. B (3/00)

2nd STAGE HEAT STATION
MOUNTING HOLES
(6) M4 x 0.7 X 6 mm
HELI-COILS EQ. SPACED ON
Ø1.858 [47.2 mm] B.C.

1st STAGE HEAT STATION
MOUNTING HOLES
(8) M4 x 0.7 X 6 mm
HELI-COILS EQ. SPACED
ON Ø3.799 [96.5 mm] B.C.



VIEW Z-Z



VIEW Y-Y

ELECTRICAL CONNECTOR
4-PIN, DETORONICS
#DT02H-8-4PN

Sumitomo
(SHI) CRYOGENICS OF AMERICA, INC.

NO. 268565D1 - C
SHEET 2 OF 2

TITLE		DATE		BY		MFG.		QUAL.		ENGR.	
OUTLINE DRAWING											
CH-210L COLD HEAD ASSEMBLY											
(FLAT FLANGE)											
REV.	CRSP NO.	21 NOV 13	LJR	PZ	RGS	RBS					

PROPRIETARY NOTICE: THIS DOCUMENT IS THE PROPERTY OF SUMITOMO (SHI) CRYOGENICS OF AMERICA, INC., AND SHALL NOT, WITHOUT THE EXPRESS WRITTEN PERMISSION OF SCAI, BE REPRODUCED OR COPIED IN WHOLE OR IN PART BY ANY PERSON OUTSIDE OF SCAI OR, IF LOANED BY SCAI TO SUCH PERSON, SHALL NOT BE USED FOR FURNISHING INFORMATION TO ANY THIRD PARTY OR FOR ANY PURPOSE OTHER THAN THAT FOR WHICH IT IS LOANED.

FORM NO. DD102089-A Rev. B (3/00)