

MATERIAL LEGEND	
DESIGNATION	MATERIAL
[Hatched Pattern]	STN. STL.
[Cross-hatched Pattern]	ALUMINUM
[Diagonal Hatched Pattern]	COPPER, OFHC

Sumitomo <small>(SHI) CRYOGENICS OF AMERICA, INC.</small>	
NO. 268202D1-N-C	SHEET 1 OF 2

PROJECT: expander_ch210						TITLE	
REV.	CRSP NO.	DATE	BY	MFG.	QUAL.	ENGR.	
B	5399	02/28/12	LJR	PZ	RGS	RBS	
A	5223	09 AUG 12	JPK	PZ	RGS	RBS	
		08 JUNE 12	JPK	PZ	RGS	RBS	

OUTLINE DRAWING
CH-210N COLD HEAD ASSEMBLY

PROPRIETARY NOTICE: THIS DOCUMENT IS THE PROPERTY OF SUMITOMO (SHI) CRYOGENICS OF AMERICA, INC., AND SHALL NOT, WITHOUT THE EXPRESS WRITTEN PERMISSION OF SCAI, BE REPRODUCED OR COPIED IN WHOLE OR IN PART BY ANY PERSON OUTSIDE OF SCAI OR, IF LOANED BY SCAI TO SUCH PERSON, SHALL NOT BE USED FOR FURNISHING INFORMATION TO ANY THIRD PARTY OR FOR ANY PURPOSE OTHER THAN THAT FOR WHICH IT IS LOANED.

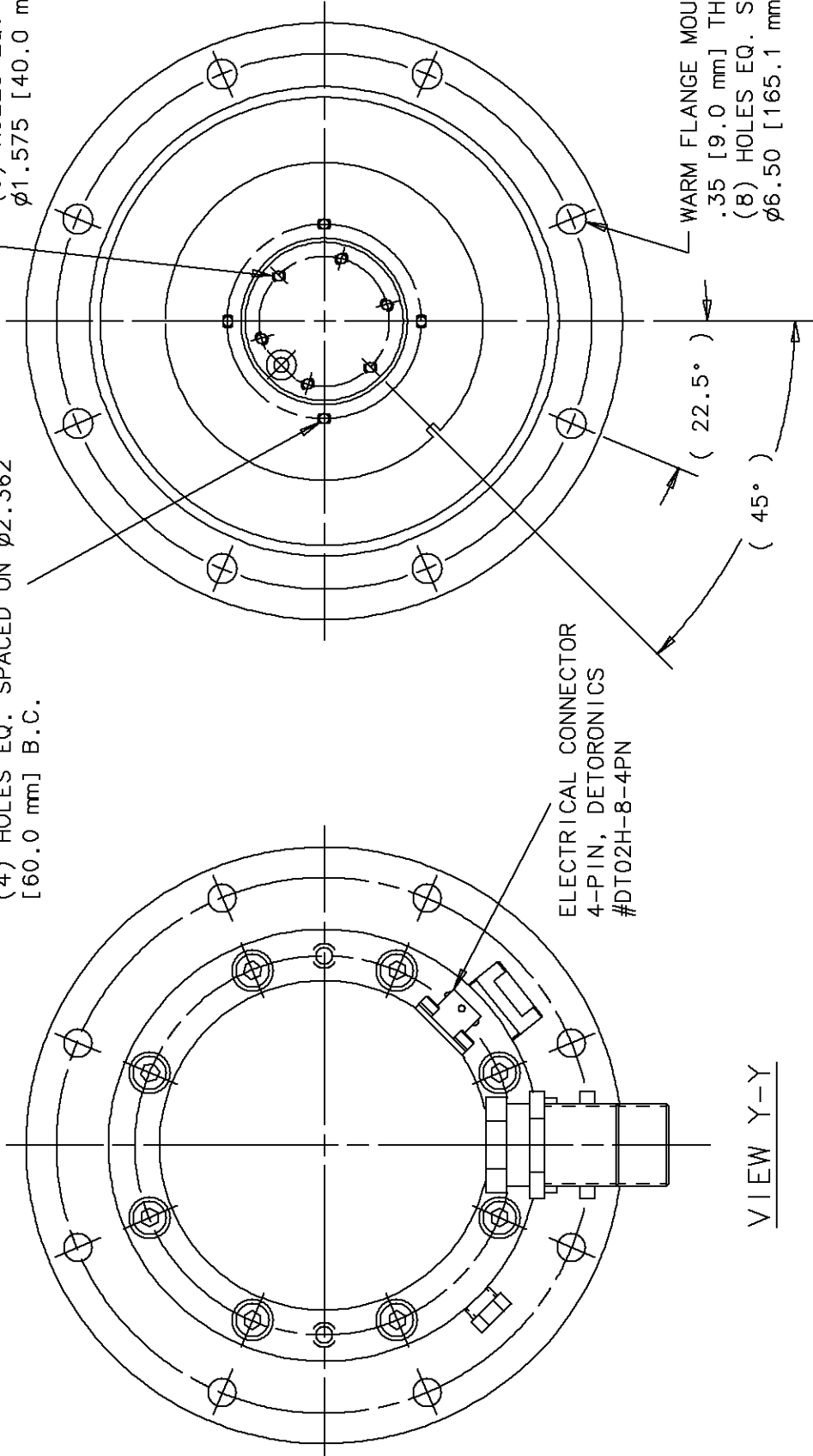
FORM NO. DD102089-A Rev. B (3/00)

2nd STAGE HEAT STATION
MOUNTING HOLES
M4 x 0.7-6H THD. THRU
(6) HOLES EQ. SPACED ON
 $\phi 1.575$ [40.0 mm] B.C.

1st STAGE HEAT STATION MOUNTING HOLES
M4 x 0.7-6H THD. X .167 [4.25 mm] DP.
(4) HOLES EQ. SPACED ON $\phi 2.362$
[60.0 mm] B.C.

WARM FLANGE MOUNTING HOLES
.35 [9.0 mm] THRU
(8) HOLES EQ. SPACED ON A
 $\phi 6.50$ [165.1 mm] B.C.

ELECTRICAL CONNECTOR
4-PIN, DETORONICS
#DT02H-8-4PN



VIEW Z-Z
A

VIEW Y-Y

TITLE

OUTLINE DRAWING
CH-210N COLD HEAD ASSEMBLY



REV. B
NO. 268202D1-N-C
SHEET 2 OF 2

REV.	CRSP NO.	08 JUNE 12	JPK	PZ	RGS	RBS	ENGR.
DATE	BY	MFG.	QUAL.	ENGR.			

PROPRIETARY NOTICE: THIS DOCUMENT IS THE PROPERTY OF SUMITOMO (SHI) CRYOGENICS OF AMERICA, INC., AND SHALL NOT, WITHOUT THE EXPRESS WRITTEN PERMISSION OF SCAI, BE REPRODUCED OR COPIED IN WHOLE OR IN PART BY ANY PERSON OUTSIDE OF SCAI OR, IF LOANED BY SCAI TO SUCH PERSON, SHALL NOT BE USED FOR FURNISHING INFORMATION TO ANY THIRD PARTY OR FOR ANY PURPOSE OTHER THAN THAT FOR WHICH IT IS LOANED.
FORM NO. DD102089-A Rev. B (3/00)