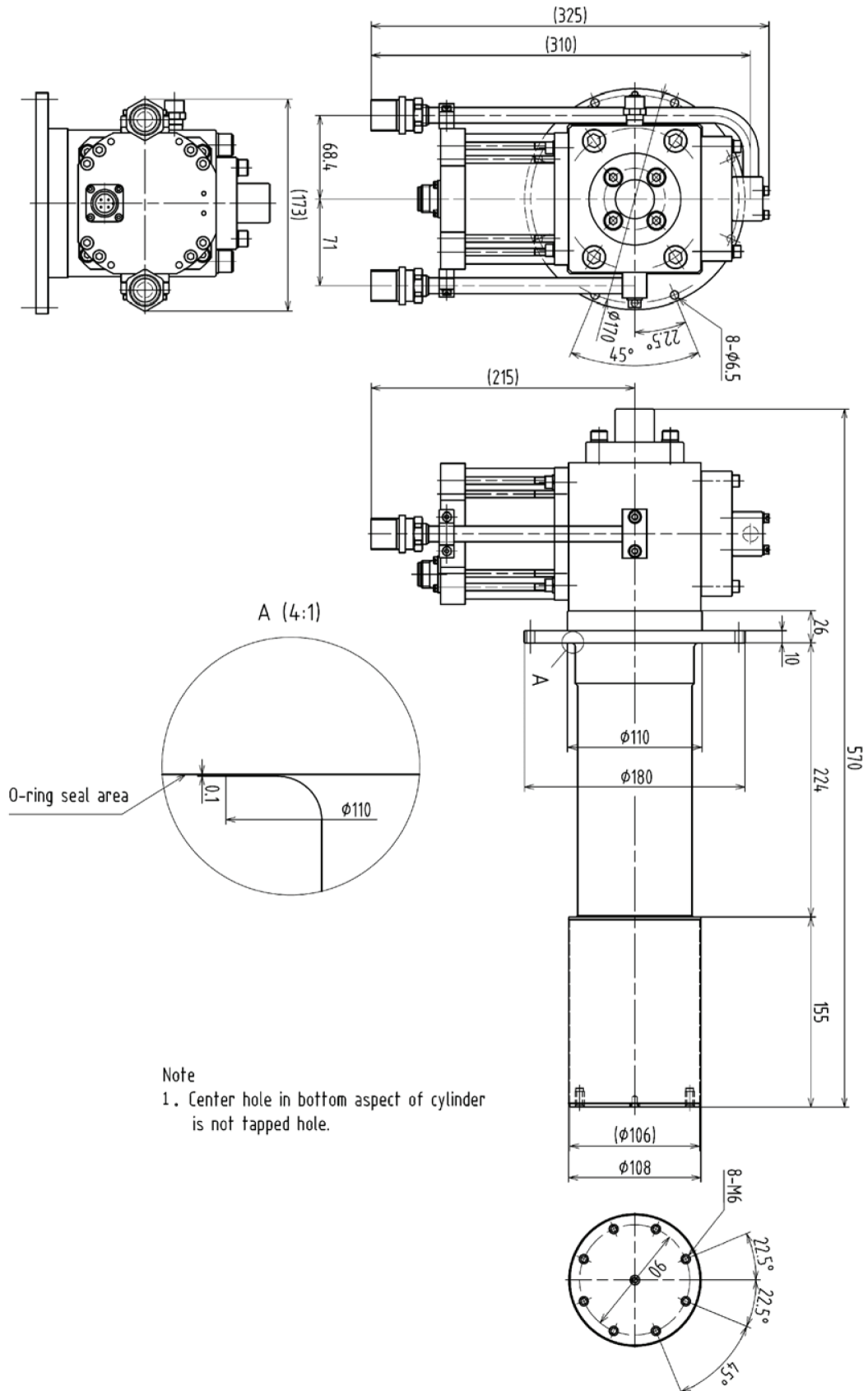


RDK-500B Cold Head Outline Drawing



Note
1. Center hole in bottom aspect of cylinder is not tapped hole.