

NOTE:
 COMPRESSOR OVERALL DIMENSIONS
 504 HIGH x 430 WIDE x 485 DEEP
 (WITHOUT TRANSFORMER)

FRONT VIEW

PROJECT: compr_hc4e

REV.	CRSP NO.	DATE	BY	MFG.	QUAL.	ENGR.
B	4712	1/8/09	KJJ	YB	RGS	RBS
A	4535	19 NOV 07	JPK	YB	RGS	RBS
		29 MAY 07	JPK	YB	RGS	RBS

TITLE

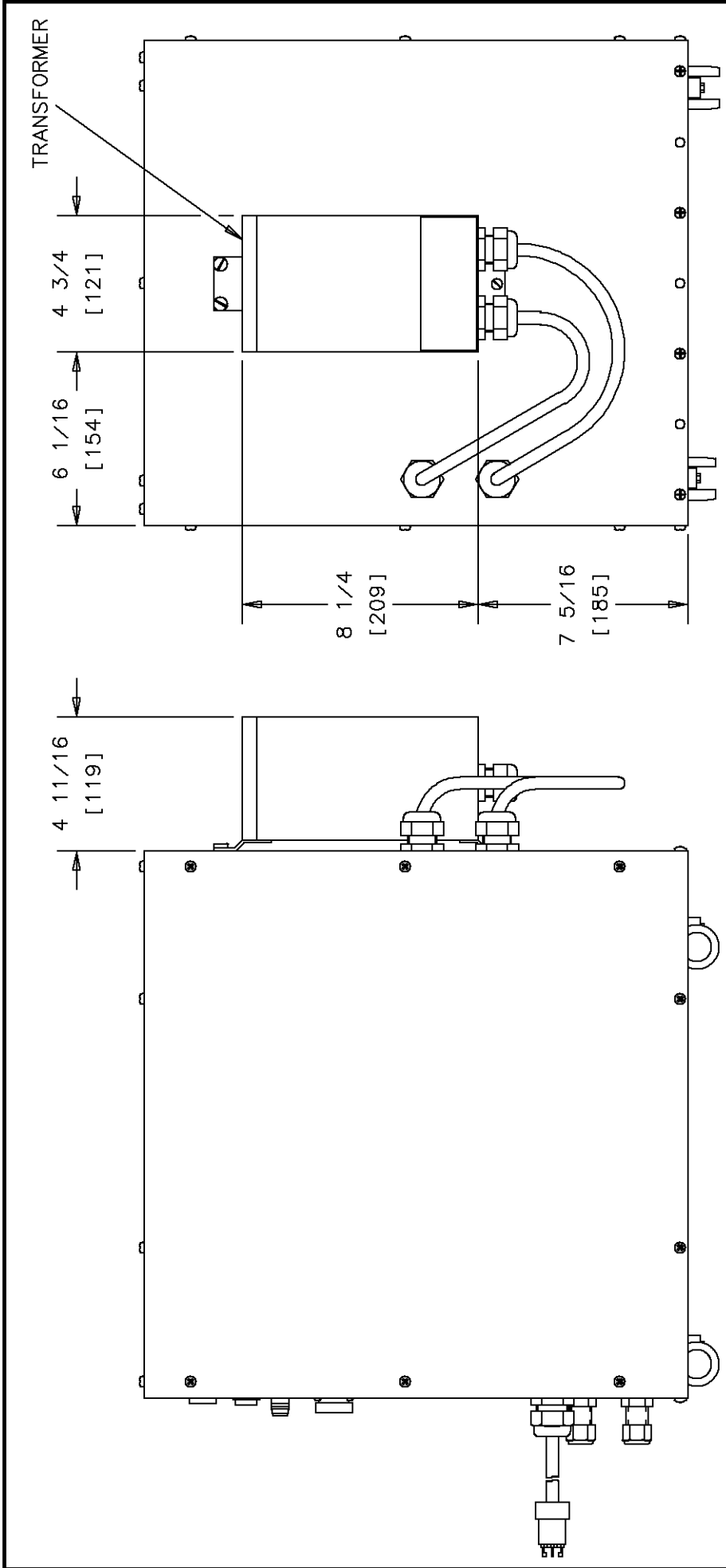
OUTLINE DRAWING
 HC-4E1 COMPRESSOR

COMPRESSOR VAR. NO.	ELECTRICAL SYSTEM
266958D18G-C	208-230V/1 ϕ /60Hz AND 200V/1 ϕ /50Hz
266958D1518G-C	220V/1 ϕ /50Hz OR 208-230V/1 ϕ /60Hz & 200V/1 ϕ /50Hz
266958D1618G-C	230V-240V/1 ϕ /50Hz OR 208-230V/1 ϕ /60Hz & 200V/1 ϕ /50Hz
266958D2518G-C	200V/1 ϕ /60Hz OR 208-230V/1 ϕ /60Hz & 200V/1 ϕ /50Hz

Sumitomo
 (SHI) CRYOGENICS OF AMERICA, INC.

NO. 266958D-C
 SHEET 1 OF 2

PROPRIETARY NOTICE: THIS DOCUMENT IS THE PROPERTY OF SUMITOMO (SHI) CRYOGENICS OF AMERICA, INC., AND SHALL NOT, WITHOUT THE EXPRESS WRITTEN PERMISSION OF SCAI, BE REPRODUCED OR COPIED IN WHOLE OR IN PART BY ANY PERSON OUTSIDE OF SCAI OR, IF LOANED BY SCAI TO SUCH PERSON, SHALL NOT BE USED FOR FURNISHING INFORMATION TO ANY THIRD PARTY OR FOR ANY PURPOSE OTHER THAN THAT FOR WHICH IT IS LOANED.
 FORM NO. DD102099-A Rev. B (3/00)



SIDE VIEW

REAR VIEW

NOTE:

△ TRANSFORMER REQUIRED FOR VARIATIONS 266958D1518G-C, 266958D1618G-C & 266958D2518G-C ONLY.

PROJECT: compr_hc4e

REV. B		TITLE	
OUTLINE DRAWING		HC-4E1 COMPRESSOR	
NO.	266958D-C	SHEET	2 OF 2



PROPRIETARY NOTICE: THIS DOCUMENT IS THE PROPERTY OF SUMITOMO (SHI) CRYOGENICS OF AMERICA, INC., AND SHALL NOT, WITHOUT THE EXPRESS WRITTEN PERMISSION OF SCAI, BE REPRODUCED OR COPIED IN WHOLE OR IN PART BY ANY PERSON OUTSIDE OF SCAI OR, IF LOANED BY SCAI TO SUCH PERSON, SHALL NOT BE USED FOR FURNISHING INFORMATION TO ANY THIRD PARTY OR FOR ANY PURPOSE OTHER THAN THAT FOR WHICH IT IS LOANED.
FORM NO. DD102089-A Rev. B (3/00)