

A	5368	23 MAR 15	JPK	DLA	RGS	RBS
REV.	CRSP NO.	11/16/2012	KJJ	PZ	RGS	SBD
	DATE		BY	MFG.	QUAL.	ENGR.

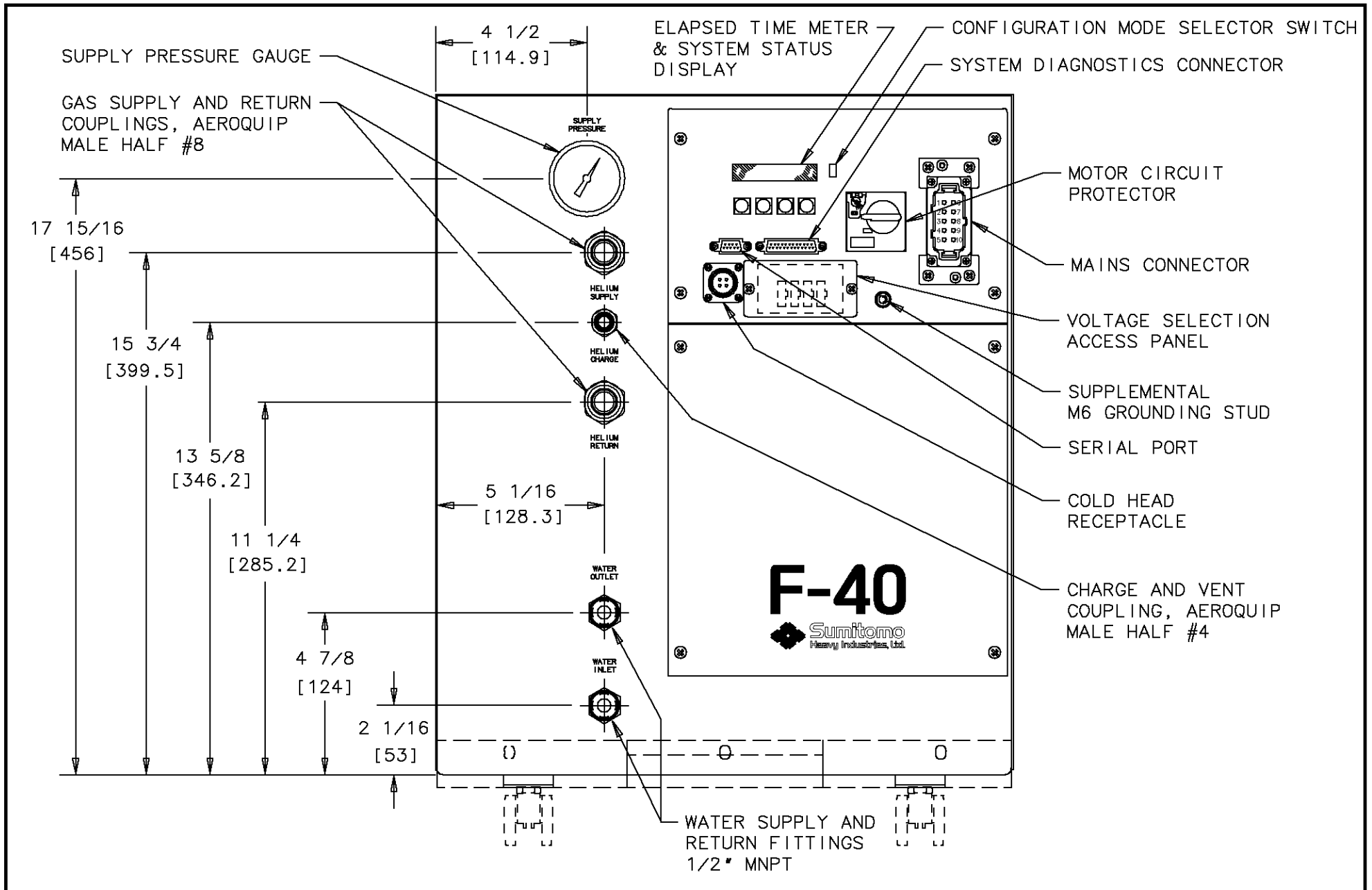
TITLE

OUTLINE DRAWING,
F-40H COMPRESSOR ASSEMBLY
SCAI STANDARD

Sumitomo
(SHI) CRYOGENICS OF AMERICA, INC.

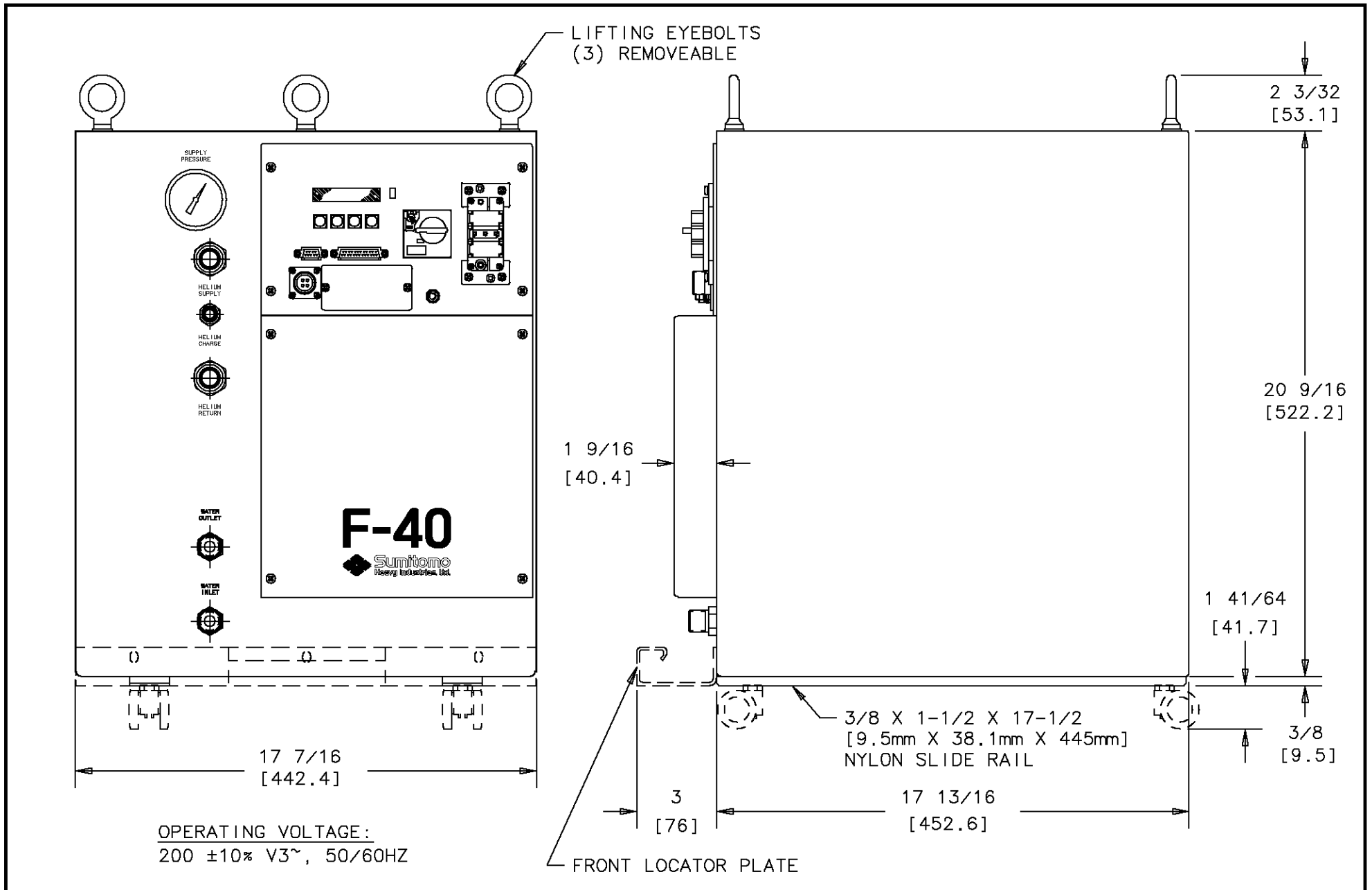
NO. 267478D23N175-C
SHEET 1 OF 2

PROPRIETARY NOTICE: THIS DOCUMENT IS THE PROPERTY OF SUMITOMO (SHI) CRYOGENICS OF AMERICA, INC., AND SHALL NOT, WITHOUT THE EXPRESS WRITTEN PERMISSION OF SCAI, BE REPRODUCED OR COPIED IN WHOLE OR IN PART BY ANY PERSON OUTSIDE OF SCAI OR, IF LOANED BY SCAI TO SUCH PERSON, SHALL NOT BE USED FOR FURNISHING INFORMATION TO ANY THIRD PARTY OR FOR ANY PURPOSE OTHER THAN THAT FOR WHICH IT IS LOANED.



						TITLE	REV. A	 (SHI) CRYOGENICS OF AMERICA, INC.
						OUTLINE DRAWING, F-40H COMPRESSOR ASSEMBLY SCAI STANDARD		
REV.	CRSP NO.	11/16/2012	KJJ	PZ	RGS	SBD	NO. 267478D23N175-C	
	DATE	BY	MFG.	QUAL.	ENGR.		SHEET 2 OF 2	

PROPRIETARY NOTICE: THIS DOCUMENT IS THE PROPERTY OF SUMITOMO (SHI) CRYOGENICS OF AMERICA, INC., AND SHALL NOT, WITHOUT THE EXPRESS WRITTEN PERMISSION OF SCAI, BE REPRODUCED OR COPIED IN WHOLE OR IN PART BY ANY PERSON OUTSIDE OF SCAI OR, IF LOANED BY SCAI TO SUCH PERSON, SHALL NOT BE USED FOR FURNISHING INFORMATION TO ANY THIRD PARTY OR FOR ANY PURPOSE OTHER THAN THAT FOR WHICH IT IS LOANED.



A	5368	23 MAR 15	JPK	DLA	RGS	RBS
REV.	CRSP NO.	11/16/2012	KJJ	PZ	RGS	SBD
	DATE		BY	MFG.	QUAL.	ENGR.

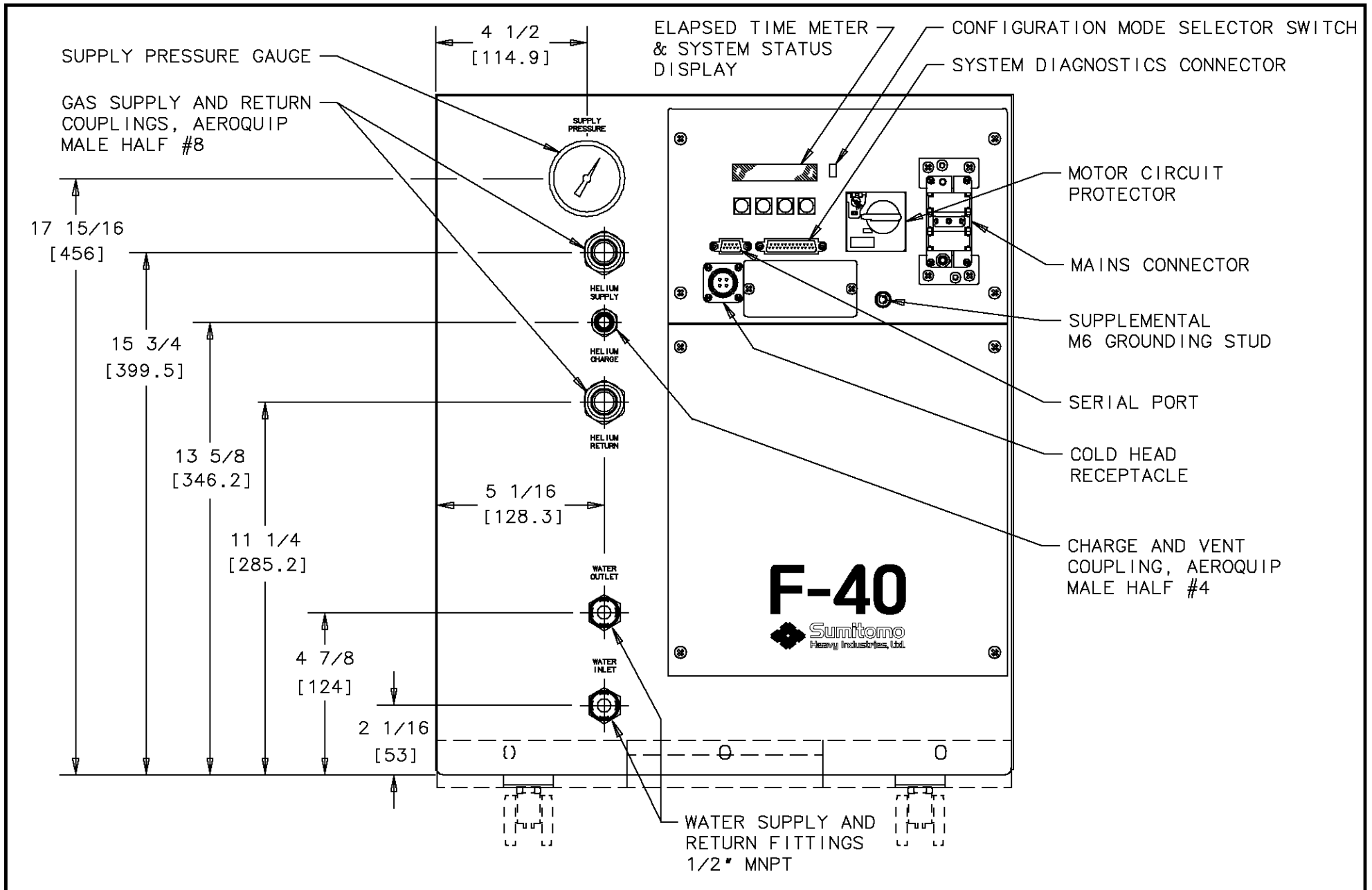
TITLE

OUTLINE DRAWING,
F-40L COMPRESSOR ASSEMBLY
SCAI STANDARD

Sumitomo
(SHI) CRYOGENICS OF AMERICA, INC.

NO. 267478D24N175-C
SHEET 1 OF 2

PROPRIETARY NOTICE: THIS DOCUMENT IS THE PROPERTY OF SUMITOMO (SHI) CRYOGENICS OF AMERICA, INC., AND SHALL NOT, WITHOUT THE EXPRESS WRITTEN PERMISSION OF SCAI, BE REPRODUCED OR COPIED IN WHOLE OR IN PART BY ANY PERSON OUTSIDE OF SCAI OR, IF LOANED BY SCAI TO SUCH PERSON, SHALL NOT BE USED FOR FURNISHING INFORMATION TO ANY THIRD PARTY OR FOR ANY PURPOSE OTHER THAN THAT FOR WHICH IT IS LOANED.



REV.	CRSP NO.	11/16/2012	KJJ	PZ	RGS	SBD
	DATE	BY	MFG.	QUAL.	ENGR.	

TITLE

OUTLINE DRAWING,
F-40L COMPRESSOR ASSEMBLY
SCAI STANDARD

REV. A



NO. 267478D24N175-C
SHEET 2 OF 2

PROPRIETARY NOTICE: THIS DOCUMENT IS THE PROPERTY OF SUMITOMO (SHI) CRYOGENICS OF AMERICA, INC., AND SHALL NOT, WITHOUT THE EXPRESS WRITTEN PERMISSION OF SCAI, BE REPRODUCED OR COPIED IN WHOLE OR IN PART BY ANY PERSON OUTSIDE OF SCAI OR, IF LOANED BY SCAI TO SUCH PERSON, SHALL NOT BE USED FOR FURNISHING INFORMATION TO ANY THIRD PARTY OR FOR ANY PURPOSE OTHER THAN THAT FOR WHICH IT IS LOANED.