

MATERIAL LEGEND	
DESIGNATION	MATERIAL
[Hatched Pattern]	STN. STL.
[Cross-hatched Pattern]	ALUMINUM
[Diagonal Hatched Pattern]	COPPER, OFHC

Sumitomo <small>(SHI) CRYOGENICS OF AMERICA, INC.</small>	
NO.	267648D1 - C
SHEET	1 OF 2

PROJECT: expander_ch210		TITLE				
B	4944	12/16/10	KJJ	PZ	RGS	RBS
A	4880	18 NOV 09	JPK	TSW	RGS	ERS
REV.	CRSP NO.	12 JUNE 09	JPK	TSW	RGS	RBS
	DATE		BY	MFG.	QUAL.	ENGR.

PROPRIETARY NOTICE: THIS DOCUMENT IS THE PROPERTY OF SUMITOMO (SHI) CRYOGENICS OF AMERICA, INC., AND SHALL NOT, WITHOUT THE EXPRESS WRITTEN PERMISSION OF SCAI, BE REPRODUCED OR COPIED IN WHOLE OR IN PART BY ANY PERSON OUTSIDE OF SCAI OR, IF LOANED BY SCAI TO SUCH PERSON, SHALL NOT BE USED FOR FURNISHING INFORMATION TO ANY THIRD PARTY OR FOR ANY PURPOSE OTHER THAN THAT FOR WHICH IT IS LOANED.

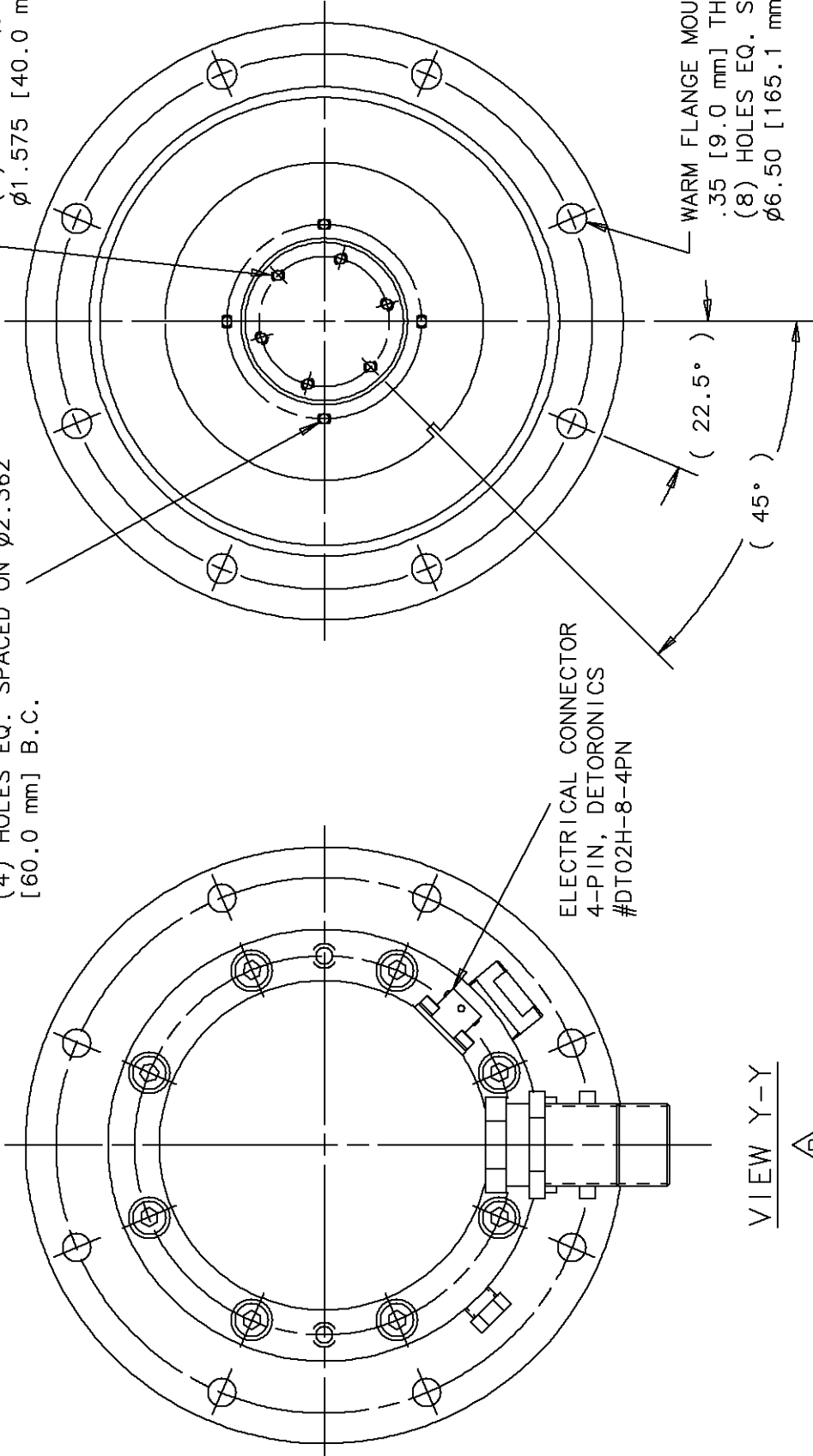
FORM NO. DD102089-A Rev. B (3/00)

2nd STAGE HEAT STATION
MOUNTING HOLES
M4 x 0.7-6H THD. THRU
(6) HOLES EQ. SPACED ON
Ø1.575 [40.0 mm] B.C.

1st STAGE HEAT STATION MOUNTING HOLES
M4 x 0.7-6H THD. X .167 [4.25 mm] DP.
(4) HOLES EQ. SPACED ON Ø2.362
[60.0 mm] B.C.

WARM FLANGE MOUNTING HOLES
.35 [9.0 mm] THRU
(8) HOLES EQ. SPACED ON A
Ø6.50 [165.1 mm] B.C.

ELECTRICAL CONNECTOR
4-PIN, DETORONICS
#DT02H-8-4PN



VIEW Z-Z

VIEW Y-Y



Sumitomo
(SHI) CRYOGENICS OF AMERICA, INC.

REV. B

NO. 267648D1 - C

SHEET 2 OF 2

TITLE		OUTLINE DRAWING	
CH-210 COLD HEAD ASSEMBLY		(FLAT FLANGE)	
REV.	CRSP NO.	DATE	BY
	12 JUNE 09	JPK	TSW
			RGS
			RBS
			ENGR.
			QUAL.
			MFG.

PROPRIETARY NOTICE: THIS DOCUMENT IS THE PROPERTY OF SUMITOMO (SHI) CRYOGENICS OF AMERICA, INC., AND SHALL NOT, WITHOUT THE EXPRESS WRITTEN PERMISSION OF SCAI, BE REPRODUCED OR COPIED IN WHOLE OR IN PART BY ANY PERSON OUTSIDE OF SCAI OR, IF LOANED BY SCAI TO SUCH PERSON, SHALL NOT BE USED FOR FURNISHING INFORMATION TO ANY THIRD PARTY OR FOR ANY PURPOSE OTHER THAN THAT FOR WHICH IT IS LOANED.

FORM NO. DD102089-A Rev. B (3/00)