

MATERIAL LEGEND	
DESIGNATION	MATERIAL
[Hatched Pattern]	STN. STL.
[Cross-hatched Pattern]	ALUMINUM
[Diagonal Hatched Pattern]	COPPER, OFHC

Sumitomo <small>(SHI) CRYOGENICS OF AMERICA, INC.</small>	
NO.	266997D1 - C
SHEET	1 OF 2

PROJECT: expander_ch2081		TITLE				
B	4944	12/17/10	KJJ	PZ	RGS	RBS
A	4939	05 MAY 10	JPK	ERS	RGS	RBS
REV.	CRSP NO.	DATE	BY	MFG.	QUAL.	ENGR.
		2/22/07	KJJ	YB	RBS	ERS

OUTLINE DRAWING
COLD HEAD ASSEMBLY
CH-208L

PROPRIETARY NOTICE: THIS DOCUMENT IS THE PROPERTY OF SUMITOMO (SHI) CRYOGENICS OF AMERICA, INC., AND SHALL NOT, WITHOUT THE EXPRESS WRITTEN PERMISSION OF SCAI, BE REPRODUCED OR COPIED IN WHOLE OR IN PART BY ANY PERSON OUTSIDE OF SCAI OR, IF LOANED BY SCAI TO SUCH PERSON, SHALL NOT BE USED FOR FURNISHING INFORMATION TO ANY THIRD PARTY OR FOR ANY PURPOSE OTHER THAN THAT FOR WHICH IT IS LOANED.
FORM NO. DD102089-A Rev. B (3/00)

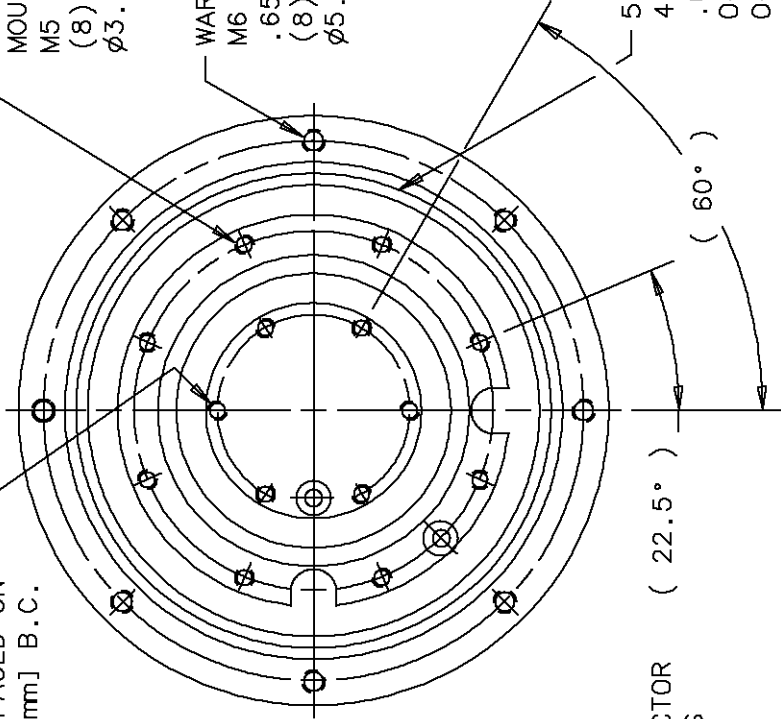
2nd STAGE HEAT STATION
MOUNTING HOLES
M5 x 0.8-6H THD. THRU
(6) HOLES EQ. SPACED ON
A ϕ 2.000 [50.8 mm] B.C.

1st STAGE HEAT STATION
MOUNTING HOLES
M5 x 0.8-6H THD. THRU
(8) HOLES EQ. SPACED ON A
 ϕ 3.752 [95.3 mm] B.C.

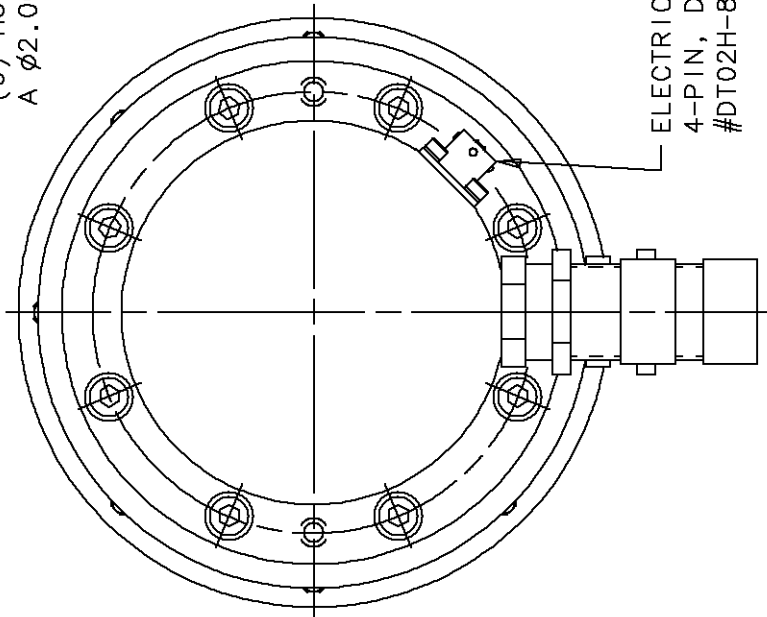
WARM FLANGE MOUNTING HOLES
M6 x 1.0-6H THD. x
.65 [16.6 mm] DP.
(8) HOLES EQ. SPACED ON A
 ϕ 5.63 [143 mm] B.C.

ELECTRICAL CONNECTOR
4-PIN, DETORONICS
#DT02H-8-4PN

5.187 [131.75 mm] O.D. x
4.947 [125.65 mm] I.D. x
.072 [1.82 mm] DP.
O-RING GROOVE
O-RING SIZE 2-159



VIEW Z-Z



VIEW Y-Y



TITLE

OUTLINE DRAWING
COLD HEAD ASSEMBLY
CH-208L

REV. B



NO. 266997D1 - C
SHEET 2 OF 2

REV.	CRSP NO.	DATE	BY	MFG.	YB	RBS	ERS	ENGR.
		2/22/07	KJJ					

PROPRIETARY NOTICE: THIS DOCUMENT IS THE PROPERTY OF SUMITOMO (SHI) CRYOGENICS OF AMERICA, INC., AND SHALL NOT, WITHOUT THE EXPRESS WRITTEN PERMISSION OF SCAI, BE REPRODUCED OR COPIED IN WHOLE OR IN PART BY ANY PERSON OUTSIDE OF SCAI OR, IF LOANED BY SCAI TO SUCH PERSON, SHALL NOT BE USED FOR FURNISHING INFORMATION TO ANY THIRD PARTY OR FOR ANY PURPOSE OTHER THAN THAT FOR WHICH IT IS LOANED.
FORM NO. DD102089-A Rev. B (3/00)