

ELECTRICAL CONNECTOR
4-PIN, DETORONICS
#DT02H-8-4PN

106
91

A

INLET GAS SUPPLY
MALE HALF COUPLING
AEROQUIP #5400-S2-8UL

OUTLET GAS RETURN
MALE HALF COUPLING
AEROQUIP #5400-S2-8UL

O-RING SIZE 2-161 $\triangle B$
GROOVE DIMENSIONS:
144.96/145.21 O.D.
138.30/138.40 I.D.
1.80/1.85 DP.
0.4 Ra FINISH ON ALL SIDES

VARIABLE ORIFICE

B

B

PROJECT: expander_ch110

REV.	CRSP NO.	DATE	BY	MFG.	QUAL.	ENGR.
B	5399	02/28/14	LJR	PZ	RGS	RBS
A	5118	22SEP11	JPK	PZ	RGS	RBS
		3/8/2011	KJJ	PZ	RGS	RBS

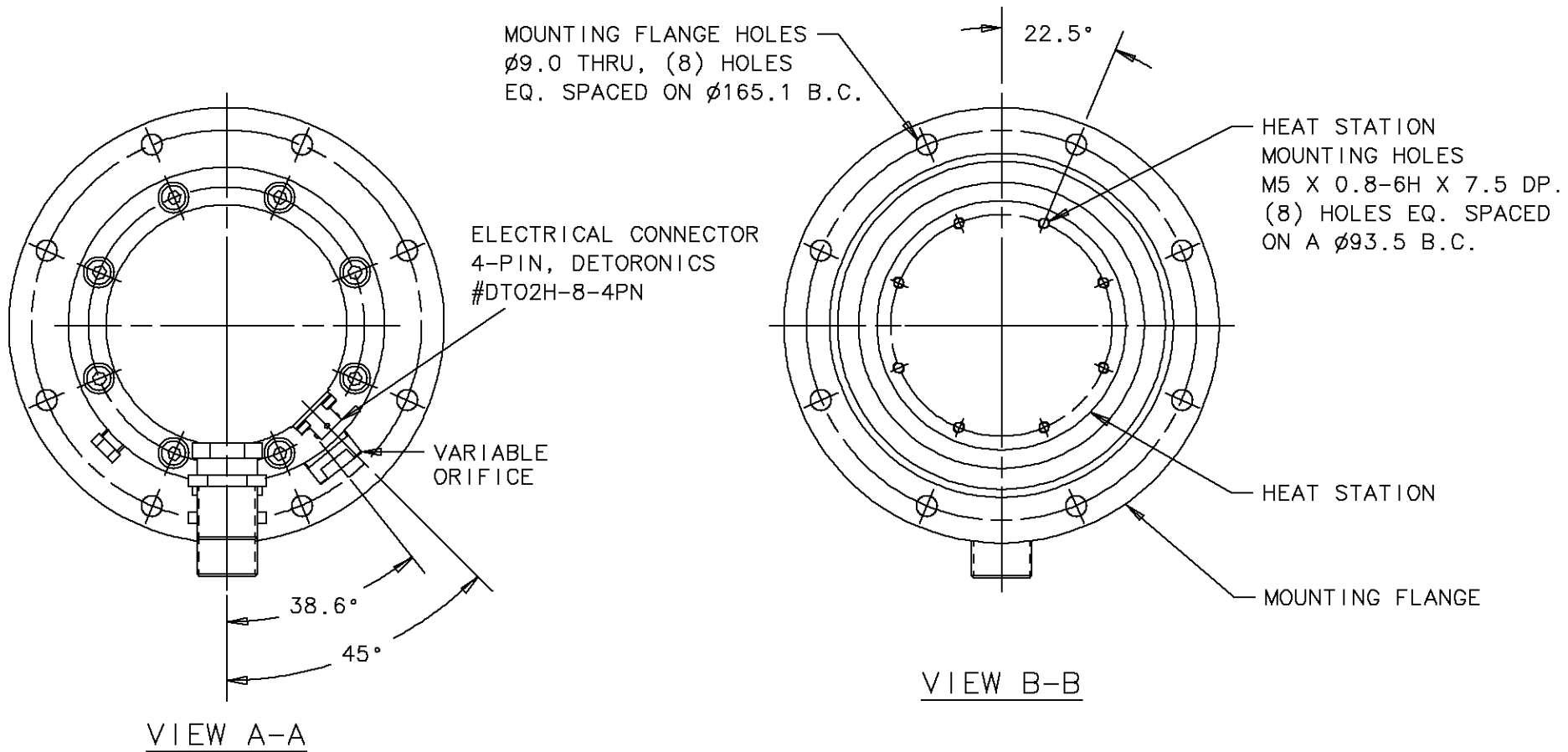
TITLE
OUTLINE DRAWING
CH-110 LOW TEMP. COLD HEAD ASSEMBLY

MATERIAL LEGEND	
DESIGNATION	MATERIAL
	ST. STL.
	ALUMINUM
	COPPER, OFHC

Sumitomo
(SHI) CRYOGENICS OF AMERICA, INC.

NO. 267988D1-C
SHEET 1 OF 2

PROPRIETARY NOTICE: THIS DOCUMENT IS THE PROPERTY OF SUMITOMO (SHI) CRYOGENICS OF AMERICA, INC., AND SHALL NOT, WITHOUT THE EXPRESS WRITTEN PERMISSION OF SCAI, BE REPRODUCED OR COPIED IN WHOLE OR IN PART BY ANY PERSON OUTSIDE OF SCAI OR, IF LOANED BY SCAI TO SUCH PERSON, SHALL NOT BE USED FOR FURNISHING INFORMATION TO ANY THIRD PARTY OR FOR ANY PURPOSE OTHER THAN THAT FOR WHICH IT IS LOANED.



REV.	CRSP NO.	3/8/2011	KJJ	PZ	RGS	RBS
	DATE	BY	MFG.	QUAL.	ENGR.	

TITLE

OUTLINE DRAWING
 CH-110 LOW TEMP. COLD HEAD ASSEMBLY

REV. B



NO. 267988D1-C
 SHEET 2 OF 2

PROPRIETARY NOTICE: THIS DOCUMENT IS THE PROPERTY OF SUMITOMO (SHI) CRYOGENICS OF AMERICA, INC., AND SHALL NOT, WITHOUT THE EXPRESS WRITTEN PERMISSION OF SCAI, BE REPRODUCED OR COPIED IN WHOLE OR IN PART BY ANY PERSON OUTSIDE OF SCAI OR, IF LOANED BY SCAI TO SUCH PERSON, SHALL NOT BE USED FOR FURNISHING INFORMATION TO ANY THIRD PARTY OR FOR ANY PURPOSE OTHER THAN THAT FOR WHICH IT IS LOANED.