

SRDK-500B 20K CRYOCOOLER SERIES



The SRDK-500B is a large-scale, single-stage Gifford-McMahon (GM) cryocooler system, driven by the highly-efficient F-70 compressor.

Features

- High cooling capacity at 20-30 K
- World's first high-powered GM cryocooler without a lead regenerator
- Orientation-free
- Compact design
- Quiet, stable operation
- Compressor provides refined oil and gas management to the cold head

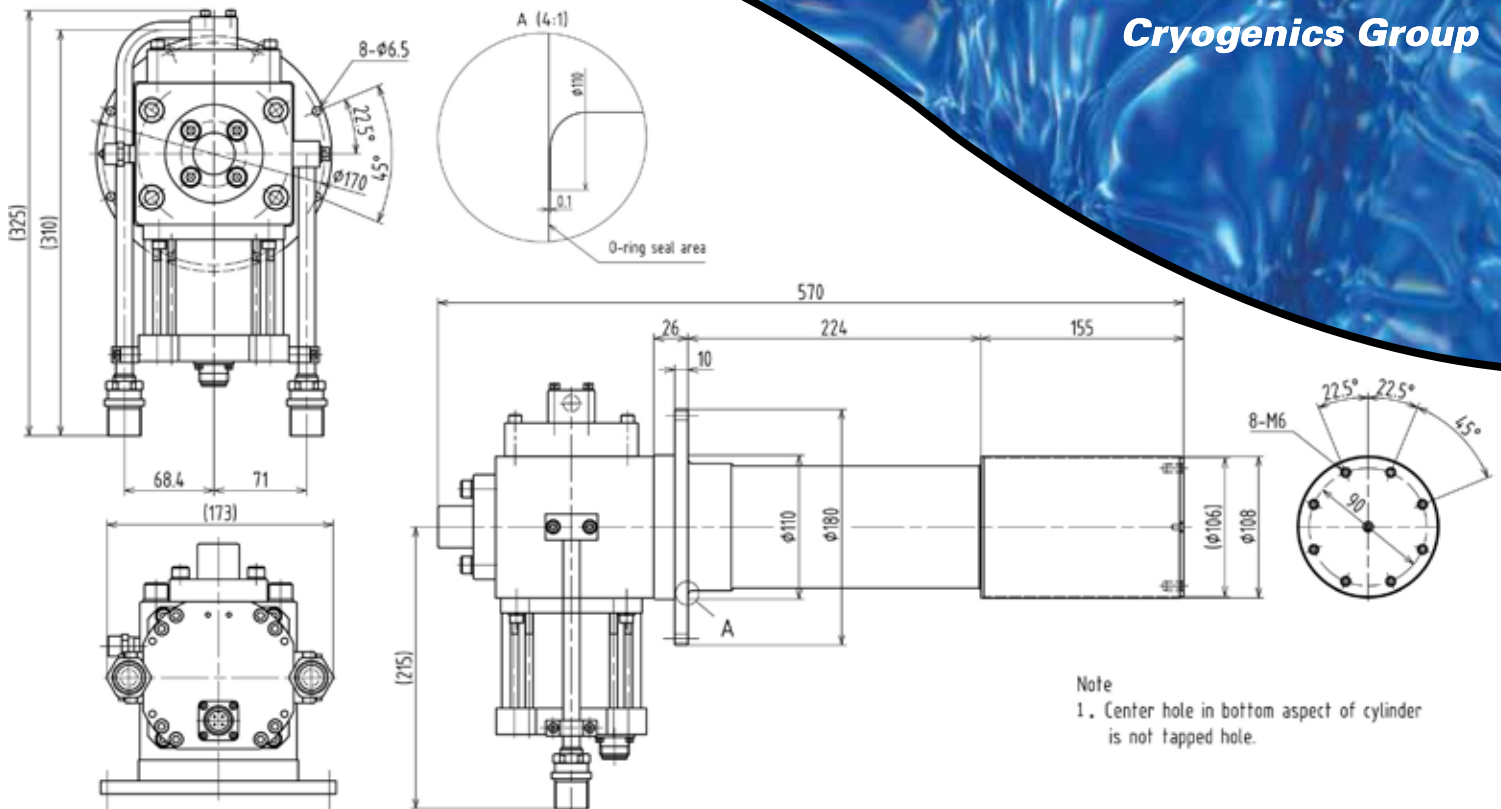
Like other SRDK-series cryocooler systems from SHI, the SRDK-500B offers users high quality and proven reliability, along with a global sales, service and support network.

Cryocooler Specifications

Power Supply	50 Hz	60 Hz
1st Stage Capacity	40 W @ 20 K	50 W @ 20 K
	80 W @ 30 K	95 W @ 30 K
Minimum Temperature	<14 K	
Cooldown Time to 20 K	70 Minutes	
Weight	25.0 kg (55.1 lbs.)	
Dimensions	570 x 180 x 325 mm (22.4 x 7.1 x 12.8 in.)	
Maintenance	8,760 Hours	

Compressor Specifications

	F-70LP	F-70H
Cooling	Water Cooled	
Electrical Supply	3 Phase 200 V, 50/60 Hz	3 Phase 380-415 V, 50 Hz 480 V, 60 Hz
Power Consumption*	6.7-7.2 kW at 50 Hz 8.0-8.5 kW at 60 Hz	6.6-6.9 kW at 50 Hz 7.5-7.8 kW at 60 Hz
Ambient Temperature	4-40 °C (40-104 °F)	
Cooling Water (Inlet)	6-9 L/min. (1.6-2.4 gal./min.) 5-25 °C (41-77 °F)	
Dimensions (HxWxD)	532 x 443 x 493 mm (20.9 x 17.4 x 19.4 in.)	
Weight	100 kg (225 lbs.)	
Maintenance	30,000 Hours	



For Information in: Asia

Sumitomo Heavy Industries, Ltd.
ThinkPark Tower
Cryogenics Division, Sales Department
1-1, Osaki 2-Chome, Shinagawa-Ku
Tokyo 141-6025, Japan
Phone: +81-3-6737-2550
Fax: +81-3-6866-5114
E-mail: cryo@shi.co.jp

Cryogenics Division, Service Department
2-1-1, Yato-cho, Nishitokyo-city
Tokyo 188-8585, Japan
Phone: +81-42-468-4265
Fax: +81-42-468-4254
E-mail: cryo_service@shi.co.jp

Sumitomo Heavy Industries (Shanghai) Management, Ltd.
10F, SMEG PLAZA
No.1386, Hongqiao Road
Shanghai 200336, P.R. China
Phone: +86-21-3462-7660
Fax: +86-21-3462-7661
E-mail: ZCryo_ChinaSales@shi.co.jp

Room 107-110, Building 5
No.100, Zixiu Road
Shanghai 201103, P.R. China
Phone: +86-21-6070-5200
Fax: +86-21-6070-5086
E-mail: ZCryo_ChinaService@shi.co.jp

Sumitomo (SHI) Cryogenics Korea Co., Ltd.
Room 619-620, Venture Valley
#958 Goseck-Dong, Kwonsun-Gu
Suwon-City, Gyeonggi-Do, South Korea
Phone: +82-31-278-3050
Fax: +82-31-278-3053
E-mail: Won_Bum_Lee@shi.co.jp

Sumitomo (SHI) Cryogenics Taiwan Co., Ltd.
4th Floor, No. 3
Lane 216, Gongyuan Rd.
Hsinchu City 300, Taiwan ROC
Phone: +886 3 561 2557
Fax: +886 3 562 3400

United States

Sumitomo (SHI) Cryogenics of America, Inc.
1833 Vultee Street
Allentown, PA 18103
Phone: +1 610-791-6700
Fax: +1 610-791-0440
E-mail: sales@shicryogenics.com

Sumitomo (SHI) Cryogenics of America, Inc.
1800 Wyatt Drive
Suite 13
Santa Clara, CA 95054
Phone: +1 408-736-4406
Fax: +1 408-736-7325

Sumitomo (SHI) Cryogenics of America, Inc.
1500-C Higgins Road
Elk Grove Village, IL 60007
Phone: +1 847-290-5801
Fax: +1 847-290-1984

Europe

Sumitomo (SHI) Cryogenics of Europe, Ltd.
3 Hamilton Close, Houndmills Industrial Estate
Basingstoke, Hampshire RG21 6YT
United Kingdom
Phone: +44 (0) 1256 853333
Fax: +44 (0) 1256 471507
E-mail: uksales@shicryogenics.co.uk

Sumitomo (SHI) Cryogenics of Europe, GmbH
Daimlerweg 5a
Darmstadt D-64293, Germany
Phone: +49 (0) 6151 860 610
Fax: +49 (0) 6151 800 252
E-mail: contact@sumitomocryo.de

World Wide Web: www.shicryogenics.com

© SHI Cryogenics Group 9/13