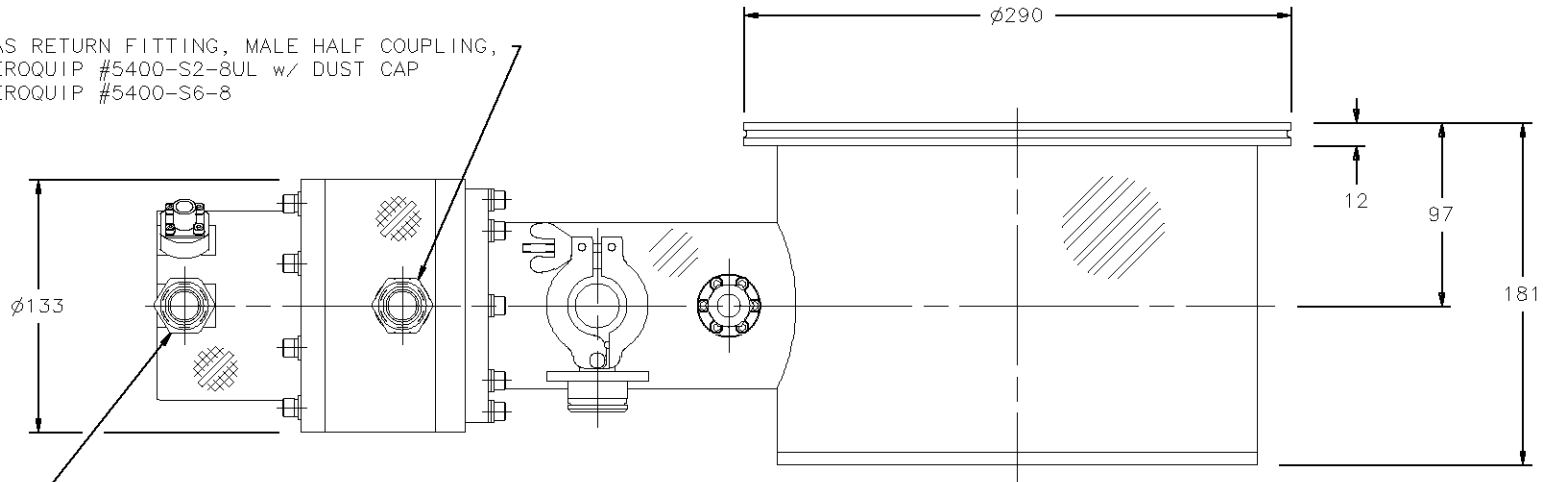
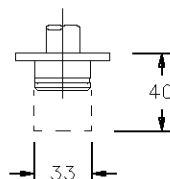


PROPRIETARY NOTICE: THIS DOCUMENT IS THE PROPERTY OF SUMITOMO (SHI) CRYOGENICS OF AMERICA, INC., AND SHALL NOT, WITHOUT THE EXPRESS WRITTEN PERMISSION OF SCAI, BE REPRODUCED OR COPIED IN WHOLE OR IN PART BY ANY PERSON OUTSIDE OF SCAI OR, IF LOANED BY SCAI TO SUCH PERSON, SHALL NOT BE USED FOR FURNISHING INFORMATION TO ANY THIRD PARTY OR FOR ANY PURPOSE OTHER THAN THAT FOR WHICH IT IS LOANED.

GAS RETURN FITTING, MALE HALF COUPLING,
AEROQUIP #5400-S2-8UL w/ DUST CAP
AEROQUIP #5400-S6-8



GAS SUPPLY FITTING, MALE HALF COUPLING,
AEROQUIP #5400-S2-8UL w/ DUST CAP
AEROQUIP #5400-S6-8



(4) #6-32UNC TAPPED HOLES EQ. SPACED ON A $\phi 44.5$ B.C.

DETAIL Z- RELIEF VALVE
KEEP 33 mm DIA. x 40 mm LG.
REGION FREE OF OBSTRUCTIONS THAT
WOULD RESTRICT THE OPERATION OF
THE RELIEF VALVE POPPET.

MATERIAL LEGEND	
DESIGNATION	MATERIAL
	ALUMINUM
	STN. STL.
DIMENSIONS ARE IN MILLIMETERS (mm) UNLESS OTHERWISE SPECIFIED.	

PROJECT: cryopumps_cp250lp

REV.	CRSP NO.	DATE	BY	MFG.	QUAL.	ENGR.
		15 NOV 07	JPK	YB	RGS	ERS

TITLE
OUTLINE DRAWING
CRYOPUMP ASSEMBLY, CP-250LP (10")
50/60 HZ., ISO 250 FLANGE

Sumitomo
(SHI) CRYOGENICS OF AMERICA, INC.

NO. 265121A1031R000-C
SHEET 2 OF 2

ELECTRICAL CONNECTOR,
4-PIN, DETORONICS
#DT02H-8-4PN

RELIEF VALVE
(SEE DETAIL Z
ON SHT. 2)

GAS SUPPLY FITTING, MALE
HALF COUPLING, AEROQUIP
#5400-S2-8UL w/ DUST CAP
AEROQUIP #5400-S6-8

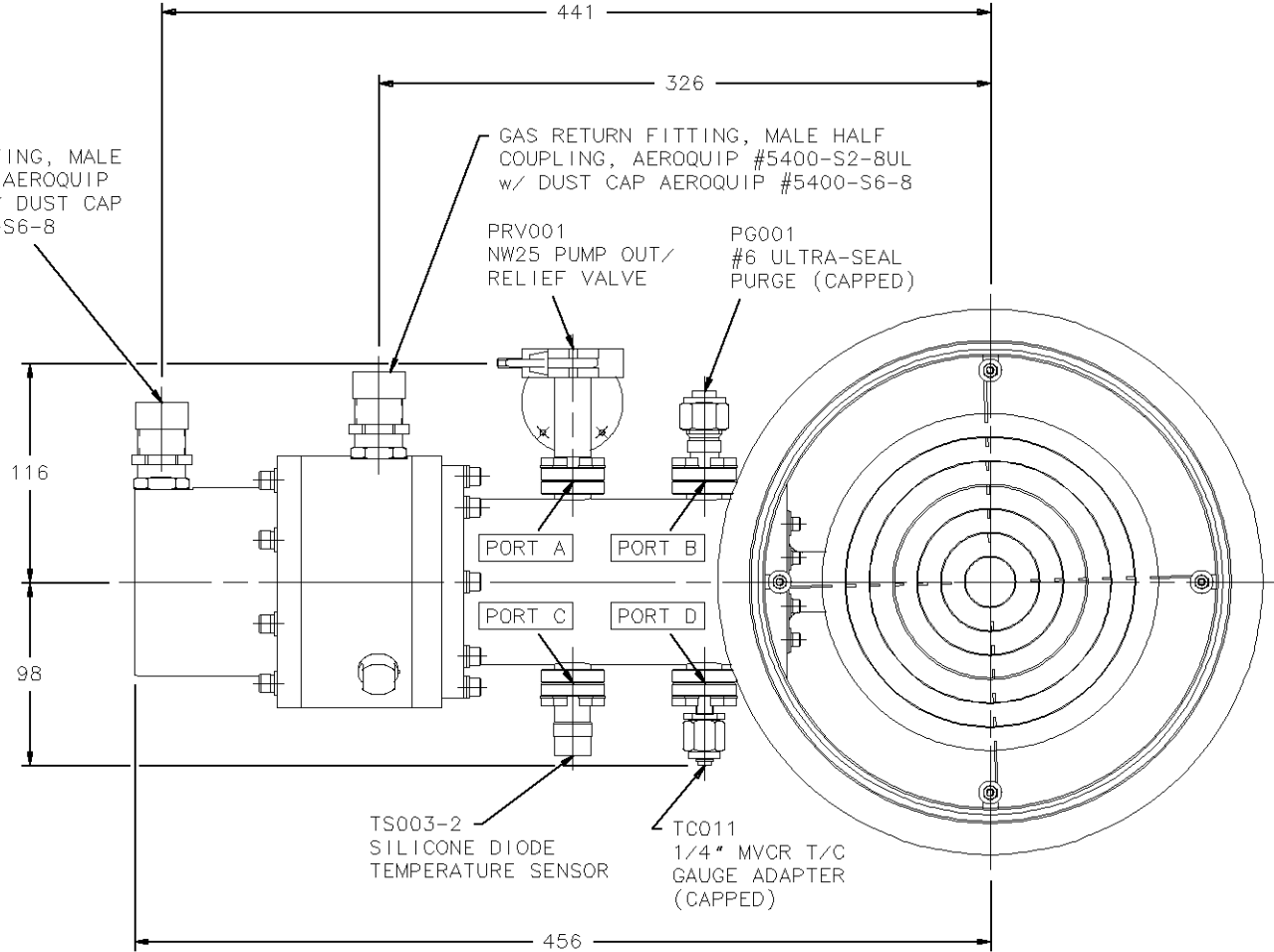
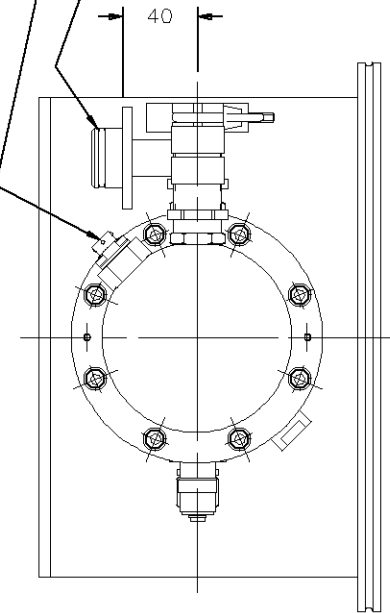
GAS RETURN FITTING, MALE HALF
COUPLING, AEROQUIP #5400-S2-8UL
w/ DUST CAP AEROQUIP #5400-S6-8

PRV001
NW25 PUMP OUT/
RELIEF VALVE

PG001
#6 ULTRA-SEAL
PURGE (CAPPED)

TS003-2
SILICONE DIODE
TEMPERATURE SENSOR

TC011
1/4" MVCR T/C
GAUGE ADAPTER
(CAPPED)



NOTE:
PORTS A, B, C & D ARE ALL 1.33"
MINI-CONFLAT FLANGES.

MATERIAL LEGEND

DESIGNATION	MATERIAL
	ALUMINUM
	STN. STL.

DIMENSIONS ARE IN
MILLIMETERS (mm)
UNLESS OTHERWISE SPECIFIED.

PROJECT: cryopumps_cp250lp

TITLE

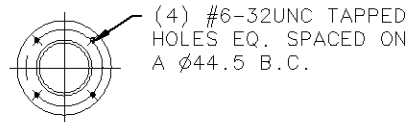
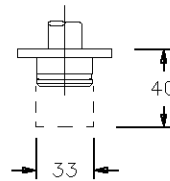
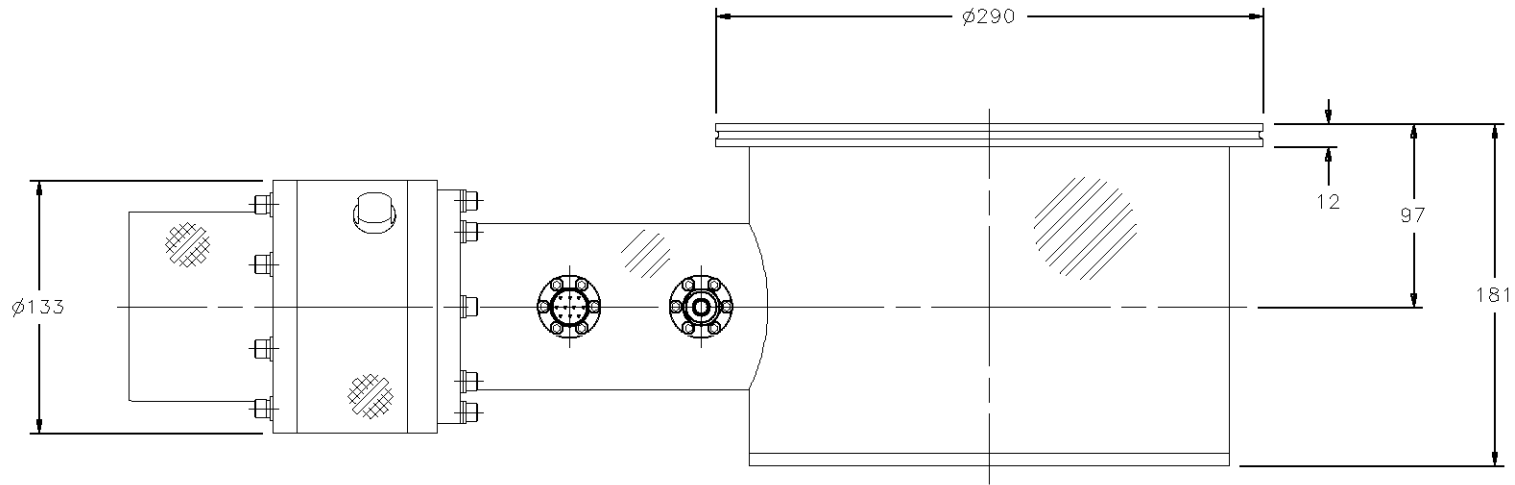
OUTLINE DRAWING
CRYOPUMP ASSEMBLY, CP-250LP (10")
50/60 HZ., ISO 250 FLANGE

Sumitomo
(SHI) CRYOGENICS OF AMERICA, INC.

NO. 265121A1031L000-C
SHEET 1 OF 2

REV.	CRSP NO.	DATE	BY	MFG.	QUAL.	ENGR.
		15 NOV 07	JPK	YB	RGS	ERS

PROPRIETARY NOTICE: THIS DOCUMENT IS THE PROPERTY OF SUMITOMO (SHI) CRYOGENICS OF AMERICA, INC., AND SHALL NOT, WITHOUT THE EXPRESS WRITTEN PERMISSION OF SCAI, BE REPRODUCED OR COPIED IN WHOLE OR IN PART BY ANY PERSON OUTSIDE OF SCAI OR, IF LOANED BY SCAI TO SUCH PERSON, SHALL NOT BE USED FOR FURNISHING INFORMATION TO ANY THIRD PARTY OR FOR ANY PURPOSE OTHER THAN THAT FOR WHICH IT IS LOANED.



DETAIL Z- RELIEF VALVE
 KEEP 33 mm DIA. x 40 mm LG.
 REGION FREE OF OBSTRUCTIONS THAT
 WOULD RESTRICT THE OPERATION OF
 THE RELIEF VALVE POPPET.

MATERIAL LEGEND	
DESIGNATION	MATERIAL
	ALUMINUM
	STN. STL.

DIMENSIONS ARE IN
 MILLIMETERS (mm)
 UNLESS OTHERWISE SPECIFIED.

PROJECT: cryopumps_cp250lp

REV.	CRSP NO.	DATE	BY	MFG.	QUAL.	ENGR.
		15 NOV 07	JPK	YB	RGS	ERS

TITLE

OUTLINE DRAWING
 CRYOPUMP ASSEMBLY, CP-250LP (10")
 50/60 HZ., ISO 250 FLANGE

Sumitomo
(SHI) CRYOGENICS OF AMERICA, INC.

NO. 265121A1031L000-C
 SHEET 2 OF 2