

INLET GAS FITTING,  
MALE HALF COUPLING  
AEROQUIP #5400-S2-8UL  
w/ DUST CAP

OUTLET GAS FITTING,  
MALE HALF COUPLING  
AEROQUIP #5400-S2-8UL  
w/ DUST CAP

OUTLINE DWG. VARIATION NO.	MODEL AND ASSY. VAR. NO.	POWER OPERATION	MINIMUM TEMP
267104D-C	267104D	50/60 Hz.	10K
267104D-N-C	267104D-N	50/60 Hz.	6.5K

MATERIAL LEGEND	
DESIGNATION	MATERIAL
	STN. STL.
	ALUMINUM
	COPPER, OFHC

PROJECT: labs\_ch204s\_fltflg

REV.	CRSP NO.	DATE	BY	MFG.	QUAL.	ENGR.
B	4944	12/17/10	KJJ	PZ	RGS	RBS
A	4939	05 MAY 10	JPK	ERS	RGS	RBS
		7 AUG 06	JPK	YB	RGS	RBS

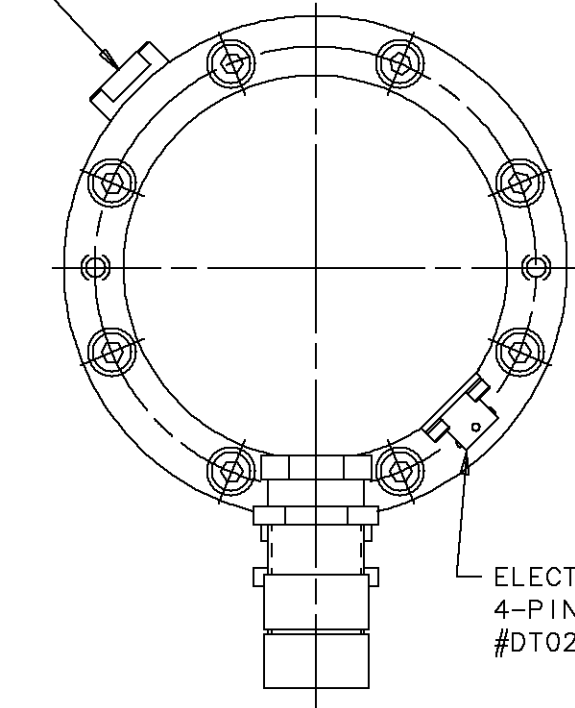
TITLE  
 OUTLINE DRAWING  
 LAB COLD HEAD ASSEMBLY  
 CH-204SFF FLAT FLANGE

**Sumitomo**  
(SHI) CRYOGENICS OF AMERICA, INC.

NO. 267104D-C  
 SHEET 1 OF 2

PROPRIETARY NOTICE: THIS DOCUMENT IS THE PROPERTY OF SUMITOMO (SHI) CRYOGENICS OF AMERICA, INC., AND SHALL NOT, WITHOUT THE EXPRESS WRITTEN PERMISSION OF SCAI, BE REPRODUCED OR COPIED IN WHOLE OR IN PART BY ANY PERSON OUTSIDE OF SCAI OR, IF LOANED BY SCAI TO SUCH PERSON, SHALL NOT BE USED FOR FURNISHING INFORMATION TO ANY THIRD PARTY OR FOR ANY PURPOSE OTHER THAN THAT FOR WHICH IT IS LOANED.  
 FORM NO. DD102099-A Rev. B (3/00)

VARIABLE ORIFICE

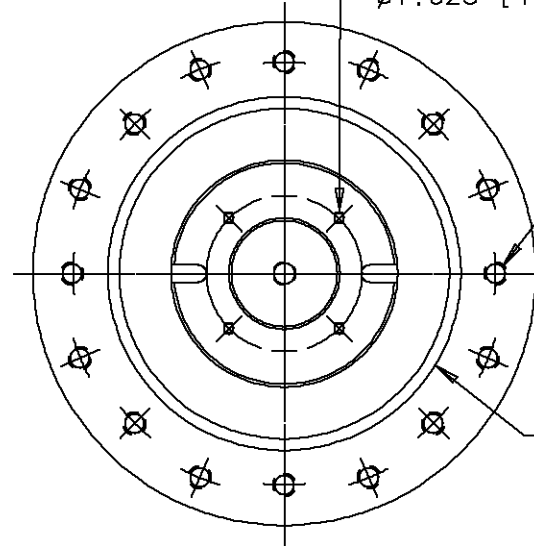


VIEW Y-Y



ELECTRICAL CONNECTOR  
4-PIN, DETORONICS  
#DT02H-8-4PN

1st STAGE HEAT STATION  
MOUNTING HOLES  
5-40UNC-2B x .345 [8.76 mm] DP.  
(4) HOLES EQ. SPACED ON A  
ø1.625 [41.28 mm] B.C.



VIEW Z-Z

WARM FLANGE MOUNTING HOLES  
M6 x 1.0-6H THD. x  
.62 [15.7 mm] DP.  
(8) HOLES EQ. SPACED ON A  
ø4.409 [112 mm] B.C.

3.688 [93.68 mm] O.D. x  
3.448 [87.58 mm] I.D. x  
.072 [1.82 mm] DP.  
O-RING GROOVE  
O-RING SIZE 2-153

REV.	CRSP NO.	7 AUG 06	JPK	YB	RGS	RBS
	DATE	BY	MFG.	QUAL.	ENGR.	

TITLE

OUTLINE DRAWING  
LAB COLD HEAD ASSEMBLY  
CH-204SFF FLAT FLANGE

REV. B



NO. 267104D-C  
SHEET 2 OF 2

PROPRIETARY NOTICE: THIS DOCUMENT IS THE PROPERTY OF SUMITOMO (SHI) CRYOGENICS OF AMERICA, INC., AND SHALL NOT, WITHOUT THE EXPRESS WRITTEN PERMISSION OF SCAI, BE REPRODUCED OR COPIED IN WHOLE OR IN PART BY ANY PERSON OUTSIDE OF SCAI OR, IF LOANED BY SCAI TO SUCH PERSON, SHALL NOT BE USED FOR FURNISHING INFORMATION TO ANY THIRD PARTY OR FOR ANY PURPOSE OTHER THAN THAT FOR WHICH IT IS LOANED.

FORM NO. DD102099-A Rev. B (3/00)