

B	5157	17 FEB 12	JPK	PZ	RGS	SBD
A	4558	19 FEB 08	JPK	YB	RGS	SBD
REV.	CRSP NO.	DATE	BY	MFG.	QUAL.	ENGR.
		4/6/07	KJJ	YB	RGS	RBS

TITLE

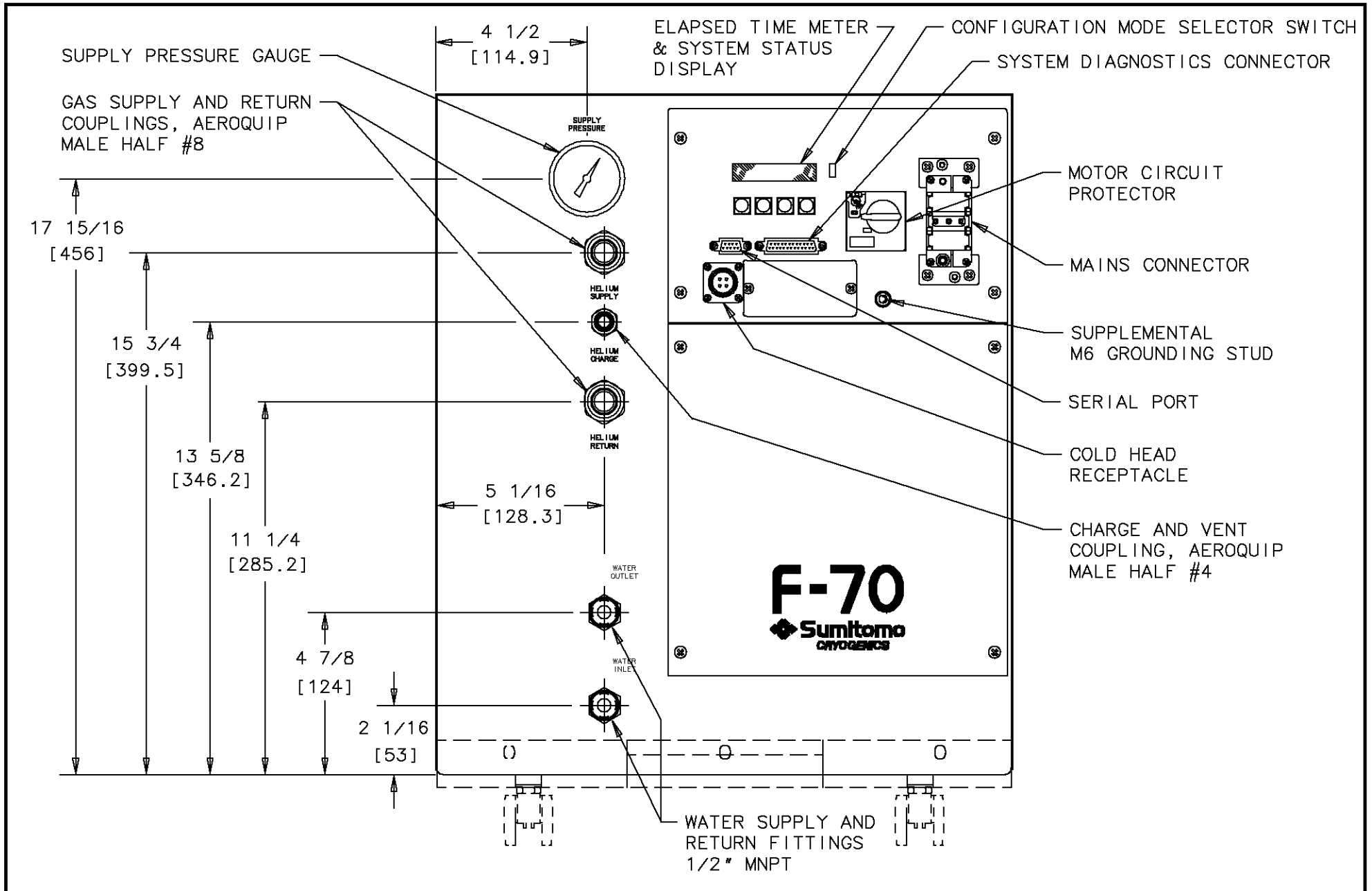
OUTLINE DRAWING,
F-70L COMPRESSOR ASSEMBLY
SCAI STANDARD

Sumitomo
(SHI) CRYOGENICS OF AMERICA, INC.

NO. 267046D24N-C


SHEET 1 OF 2

PROPRIETARY NOTICE: THIS DOCUMENT IS THE PROPERTY OF SUMITOMO (SHI) CRYOGENICS OF AMERICA, INC., AND SHALL NOT, WITHOUT THE EXPRESS WRITTEN PERMISSION OF SCAI, BE REPRODUCED OR COPIED IN WHOLE OR IN PART BY ANY PERSON OUTSIDE OF SCAI OR, IF LOANED BY SCAI TO SUCH PERSON, SHALL NOT BE USED FOR FURNISHING INFORMATION TO ANY THIRD PARTY OR FOR ANY PURPOSE OTHER THAN THAT FOR WHICH IT IS LOANED.

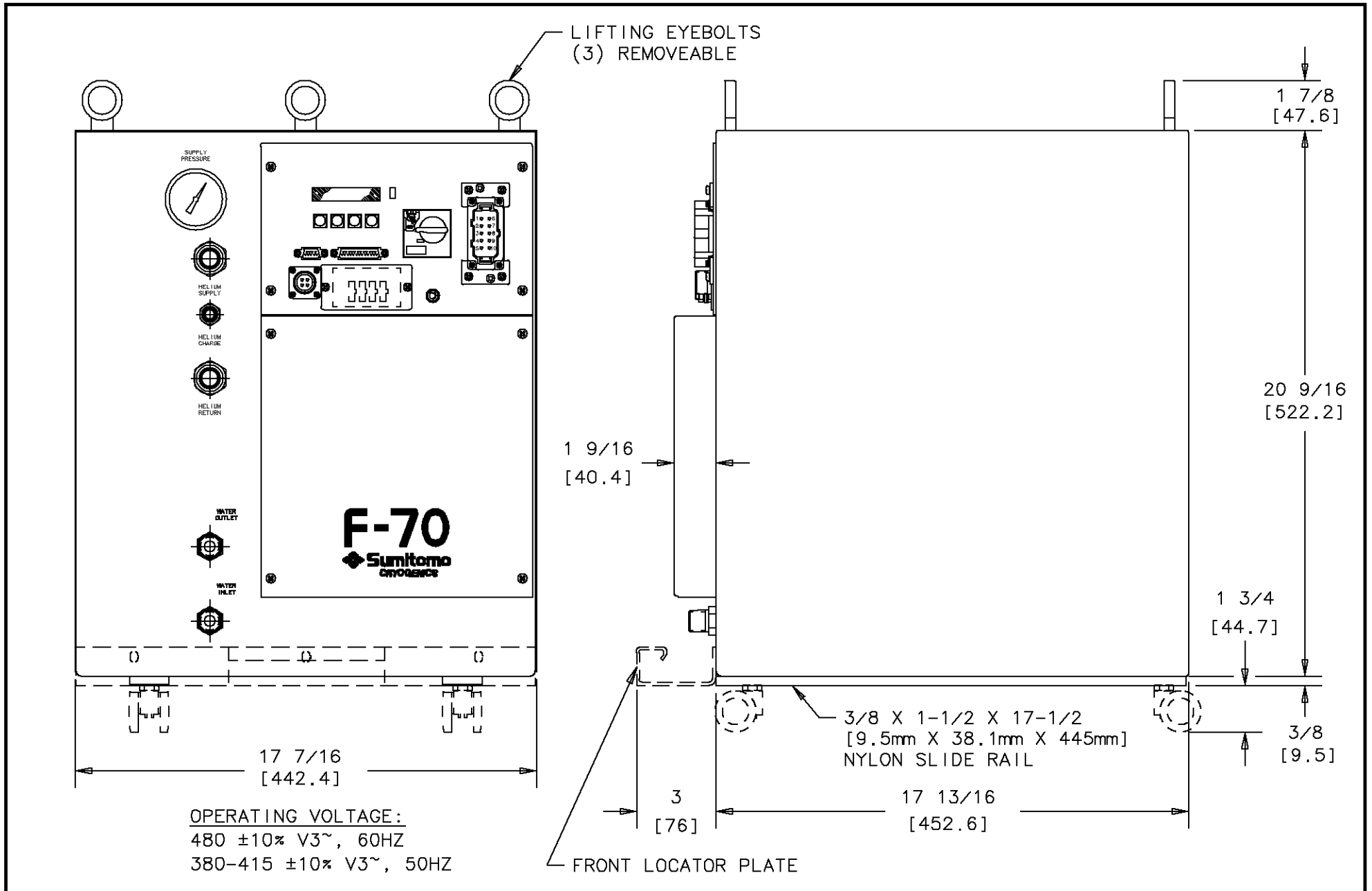


REV.	CRSP NO.	4/6/07	KJJ	YB	RGS	RBS
	DATE	BY	MFG.	QUAL.	ENGR.	

TITLE
 OUTLINE DRAWING,
 F-70L COMPRESSOR ASSEMBLY
 SCAI STANDARD

REV. B	
NO. 267046D24N-C	(SHI) CRYOGENICS OF AMERICA, INC.
SHEET 2 OF 2	

PROPRIETARY NOTICE: THIS DOCUMENT IS THE PROPERTY OF SUMITOMO (SHI) CRYOGENICS OF AMERICA, INC., AND SHALL NOT, WITHOUT THE EXPRESS WRITTEN PERMISSION OF SCAI, BE REPRODUCED OR COPIED IN WHOLE OR IN PART BY ANY PERSON OUTSIDE OF SCAI OR, IF LOANED BY SCAI TO SUCH PERSON, SHALL NOT BE USED FOR FURNISHING INFORMATION TO ANY THIRD PARTY OR FOR ANY PURPOSE OTHER THAN THAT FOR WHICH IT IS LOANED.



B	5157	17 FEB 12	JPK	PZ	RGS	SBD
A	4558	19 FEB 08	JPK	YB	RGS	SBD
REV.	CRSP NO.	DATE	BY	MFG.	QUAL.	ENGR.
		4/6/07	KJJ	YB	RGS	RBS

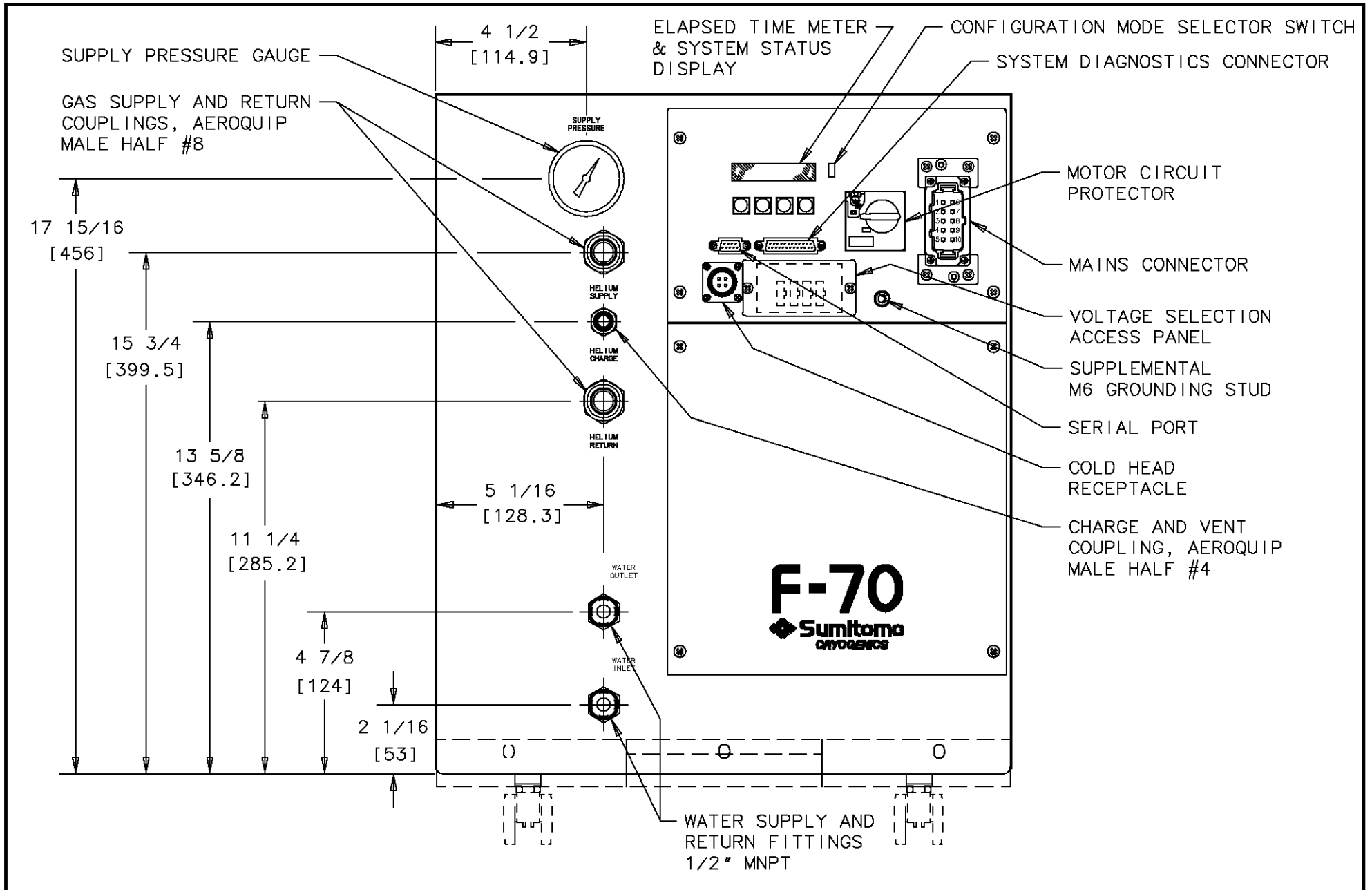
TITLE

OUTLINE DRAWING,
F-70H COMPRESSOR ASSEMBLY
SCAI STANDARD

Sumitomo
(SHI) CRYOGENICS OF AMERICA, INC.


NO. 267046D23N-C
SHEET 1 OF 2

PROPRIETARY NOTICE: THIS DOCUMENT IS THE PROPERTY OF SUMITOMO (SHI) CRYOGENICS OF AMERICA, INC., AND SHALL NOT, WITHOUT THE EXPRESS WRITTEN PERMISSION OF SCAI, BE REPRODUCED OR COPIED IN WHOLE OR IN PART BY ANY PERSON OUTSIDE OF SCAI OR, IF LOANED BY SCAI TO SUCH PERSON, SHALL NOT BE USED FOR FURNISHING INFORMATION TO ANY THIRD PARTY OR FOR ANY PURPOSE OTHER THAN THAT FOR WHICH IT IS LOANED.



REV.	CRSP NO.	4/6/07	KJJ	YB	RGS	RBS
	DATE	BY	MFG.	QUAL.	ENGR.	

TITLE
 OUTLINE DRAWING,
 F-70H COMPRESSOR ASSEMBLY
 SCAI STANDARD

REV. B	 <small>(SHI) CRYOGENICS OF AMERICA, INC.</small>
NO. 267046D23N-C	
SHEET 2 OF 2	

PROPRIETARY NOTICE: THIS DOCUMENT IS THE PROPERTY OF SUMITOMO (SHI) CRYOGENICS OF AMERICA, INC., AND SHALL NOT, WITHOUT THE EXPRESS WRITTEN PERMISSION OF SCAI, BE REPRODUCED OR COPIED IN WHOLE OR IN PART BY ANY PERSON OUTSIDE OF SCAI OR, IF LOANED BY SCAI TO SUCH PERSON, SHALL NOT BE USED FOR FURNISHING INFORMATION TO ANY THIRD PARTY OR FOR ANY PURPOSE OTHER THAN THAT FOR WHICH IT IS LOANED.
 FORM NO. DD102099-A Rev. B (3/00)