

MATERIAL LEGEND	
DESIGNATION	MATERIAL
[Diagonal Hatching]	STN. STL.
[Cross-hatching]	ALUMINUM
[Diagonal Hatching]	COPPER, OFHC

Sumitomo <small>(SHI) CRYOGENICS OF AMERICA, INC.</small>	
NO.	266630D-C
SHEET	1 OF 2

OUTLINE DRAWING
COLD HEAD ASSEMBLY
CH-208R

TITLE		DATE		BY		MFG.		QUAL.		ENGR.	
B	4944	12/17/10	KJJ	PZ	RGS	RBS					
A	4939	04 MAY 10	JPK	ERS	RGS	RBS	YB	ERS			
REV.	CRSP NO.	15 MAR 06	JPK	YB	RGS	ERS					

PROJECT: expander_ch208r

PROPRIETARY NOTICE: THIS DOCUMENT IS THE PROPERTY OF SUMITOMO (SHI) CRYOGENICS OF AMERICA, INC., AND SHALL NOT, WITHOUT THE EXPRESS WRITTEN PERMISSION OF SCAI, BE REPRODUCED OR COPIED IN WHOLE OR IN PART BY ANY PERSON OUTSIDE OF SCAI OR, IF LOANED BY SCAI TO SUCH PERSON, SHALL NOT BE USED FOR FURNISHING INFORMATION TO ANY THIRD PARTY OR FOR ANY PURPOSE OTHER THAN THAT FOR WHICH IT IS LOANED.
FORM NO. DD102089-A Rev. B (3/00)

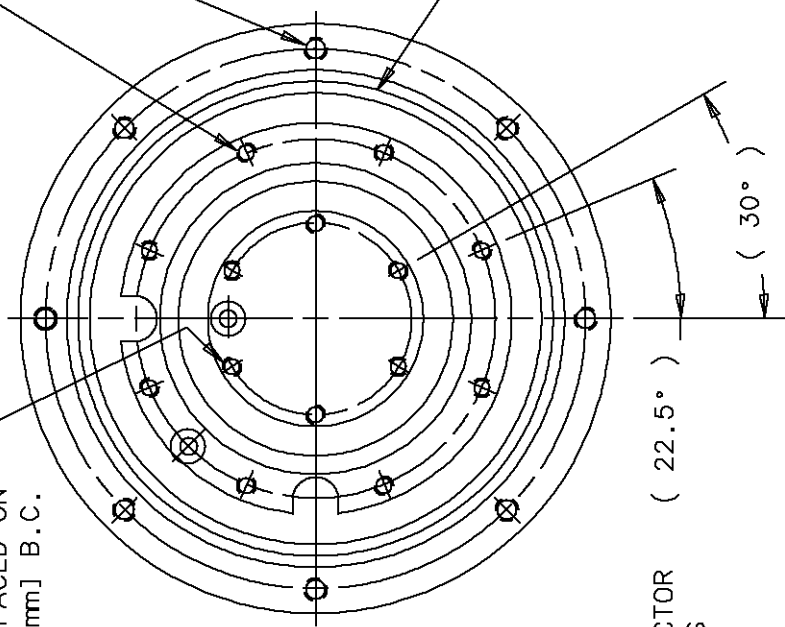
2nd STAGE HEAT STATION
MOUNTING HOLES
M5 x 0.8-6H THD. THRU
(6) HOLES EQ. SPACED ON
A ϕ 2.000 [50.8 mm] B.C.

1st STAGE HEAT STATION
MOUNTING HOLES
M5 x 0.8-6H THD. THRU
(8) HOLES EQ. SPACED ON A
 ϕ 3.752 [95.3 mm] B.C.

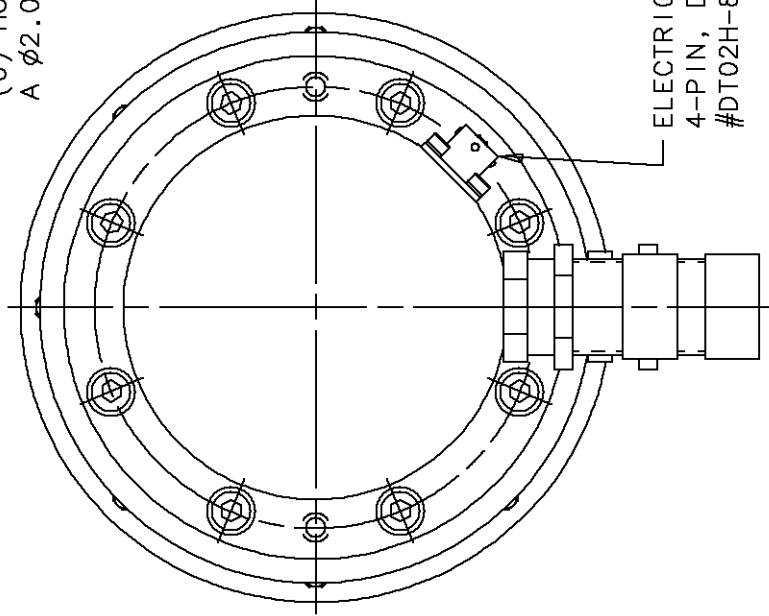
WARM FLANGE MOUNTING HOLES
M6 x 1.0-6H THD. x
.65 [16.6 mm] DP.
(8) HOLES EQ. SPACED ON A
 ϕ 5.63 [143 mm] B.C.

5.187 [131.75 mm] O.D. x
4.947 [125.65 mm] I.D. x
.072 [1.82 mm] DP.
O-RING GROOVE
O-RING SIZE 2-159

ELECTRICAL CONNECTOR
4-PIN, DETORONICS
#DT02H-8-4PN



VIEW Z-Z



VIEW Y-Y



TITLE

OUTLINE DRAWING
COLD HEAD ASSEMBLY
CH-208R

REV. B



NO. 266630D-C
SHEET 2 OF 2

REV.	CRSP NO.	DATE	BY	MFG.	YB	RGS	ERS	ENGR.
	15 MAR 06		JPK					

PROPRIETARY NOTICE: THIS DOCUMENT IS THE PROPERTY OF SUMITOMO (SHI) CRYOGENICS OF AMERICA, INC., AND SHALL NOT, WITHOUT THE EXPRESS WRITTEN PERMISSION OF SCAI, BE REPRODUCED OR COPIED IN WHOLE OR IN PART BY ANY PERSON OUTSIDE OF SCAI OR, IF LOANED BY SCAI TO SUCH PERSON, SHALL NOT BE USED FOR FURNISHING INFORMATION TO ANY THIRD PARTY OR FOR ANY PURPOSE OTHER THAN THAT FOR WHICH IT IS LOANED.
FORM NO. DD102089-A Rev. B (3/00)