

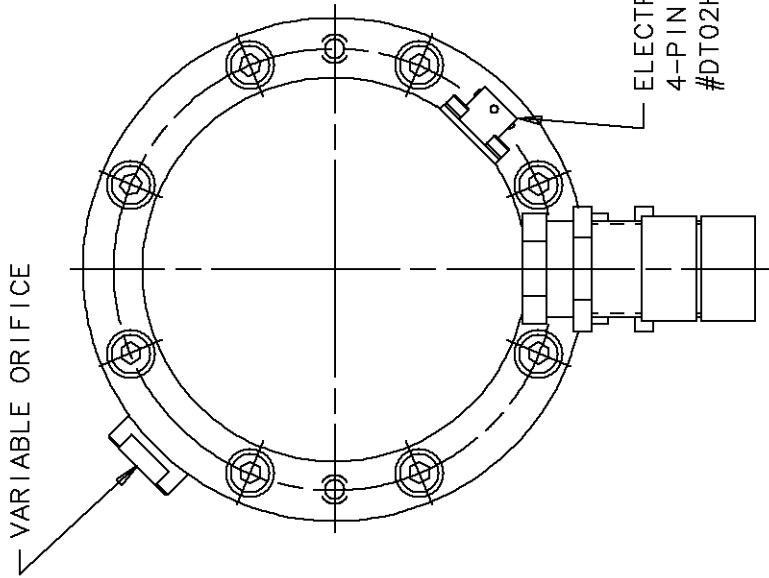
PROJECT: labs_ch202_fltflg		TITLE	
OUTLINE DRAWING			
LAB COLD HEAD ASSEMBLY			
CH-202FF FLAT FLANGE			
D	4944	12/17/10	KJJ
REV.	CRSP NO.	DATE	BY
	21	OCT 08	JPK
			YB
			MFG.
			QUAL.
			ENGR.
			RBS
			RGS
			RBS
NO. 267572D1-C		SHEET 1 OF 2	
 <b>Sumitomo</b> <small>(SHI) CRYOGENICS OF AMERICA, INC.</small>			

PROPRIETARY NOTICE: THIS DOCUMENT IS THE PROPERTY OF SUMITOMO (SHI) CRYOGENICS OF AMERICA, INC., AND SHALL NOT, WITHOUT THE EXPRESS WRITTEN PERMISSION OF SCAI, BE REPRODUCED OR COPIED IN WHOLE OR IN PART BY ANY PERSON OUTSIDE OF SCAI OR, IF LOANED BY SCAI TO SUCH PERSON, SHALL NOT BE USED FOR FURNISHING INFORMATION TO ANY THIRD PARTY OR FOR ANY PURPOSE OTHER THAN THAT FOR WHICH IT IS LOANED.  
 FORM NO. DD102089-A Rev. B (3/00)

1st STAGE HEAT STATION  
MOUNTING HOLES  
5-40UNC-2B x .343 [8.71 mm] DP.  
(4) HOLES EQ. SPACED ON A  
Ø1.218 [30.94 mm] B.C.

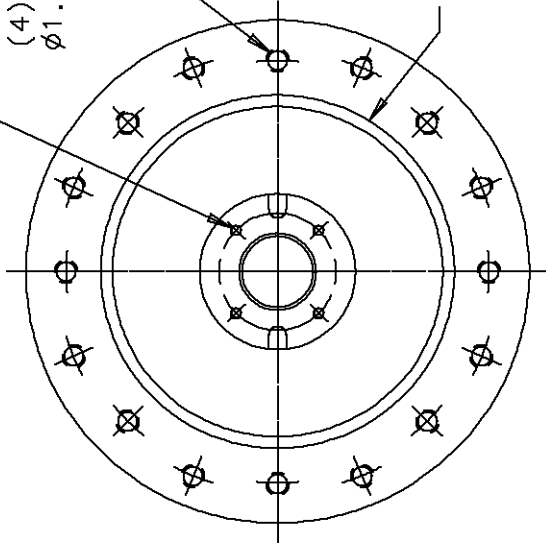
WARM FLANGE MOUNTING HOLES  
M6 x 1.0-6H THD. x  
.68 [17.3 mm] DP.  
(8) HOLES EQ. SPACED ON A  
Ø4.409 [112 mm] B.C.

3.688 [93.68 mm] O.D. x  
3.448 [87.58 mm] I.D. x  
.072 [1.82 mm] DP.  
O-RING GROOVE  
O-RING SIZE 2-153



ELECTRICAL CONNECTOR  
4-PIN, DETORONICS  
#DT02H-8-4PN

VIEW Y-Y



VIEW Z-Z

TITLE

OUTLINE DRAWING  
LAB COLD HEAD ASSEMBLY  
CH-202FF FLAT FLANGE

REV. D



NO. 267572D1-C  
SHEET 2 OF 2

REV.	CRSP NO.	DATE	BY	MFG.	YB	RGS	RBS	ENGR.
		21 OCT 08	JPK					

PROPRIETARY NOTICE: THIS DOCUMENT IS THE PROPERTY OF SUMITOMO (SHI) CRYOGENICS OF AMERICA, INC., AND SHALL NOT, WITHOUT THE EXPRESS WRITTEN PERMISSION OF SCAI, BE REPRODUCED OR COPIED IN WHOLE OR IN PART BY ANY PERSON OUTSIDE OF SCAI OR, IF LOANED BY SCAI TO SUCH PERSON, SHALL NOT BE USED FOR FURNISHING INFORMATION TO ANY THIRD PARTY OR FOR ANY PURPOSE OTHER THAN THAT FOR WHICH IT IS LOANED.  
FORM NO. DD102089-A Rev. B (3/00)